

# EA-VALVE

# 02

## GLOBE VALVE SERIES 截止阀系列

### 集生产、研发、销售、服务 于一体阀门制造企业

Set production, research and development,  
sales and service in one valve manufacturing enterprise



产品选型手册  
Product selection manual

**结构优势与特点 Structural advantages and characteristics**

1. 产品设计制造按国家标准GB 12235,结构合理,密封可靠,性能优良,造型美观。
  2. 阀瓣、阀座密封面用铁基合金堆焊或司太立 (stellite) 钴基硬质合金堆焊而成,耐磨、耐高温、耐腐蚀、抗擦伤性能好、使用寿命长。
  3. 阀杆经调质及表面氮化处理,有良好的抗腐蚀性和抗擦伤性。
  4. 可采用各种配管法兰标准及法兰密封面型式,满足各种工程需要和用户要求。
  5. 阀体材料品种齐全,填料、垫片可根据实际工况或用户要求合理选配,能适用与各种压力、温度及介质工况。
  6. 倒密封采用螺纹连接密封座或本体堆焊不锈钢而成,密封可靠,填料更换可在不停机情况下进行方便快捷不影响系统运行。
1. The product designed and manufactured according to national standard GB 12235, reasonable structure, reliable sealing, excellent performance and beautiful shape.
  2. Flap valve, the valve seat sealing surface of iron based alloy or stellite (stellite) made of cobalt-based alloy welding, wear-resistant, high temperature, corrosion, anti-abrasion performance, long life.
  3. Stem quenched and the nitrogen treatment, with good resistance to corrosion and scratch resistance.
  4. Can be used with a variety of standard pipe flanges and flange sealing surface types to meet various project needs and user requirements.
  5. Body material variety, packing, gasket can be based on actual working conditions or the user requests a reasonable option, can be applied with all kinds of pressure, temperature and medium conditions.
  6. Sealed with screw connection seal back seat or body made of stainless steel welding, sealing and reliable replacement of filling in non-stop convenient and efficient manner does not affect system operation.

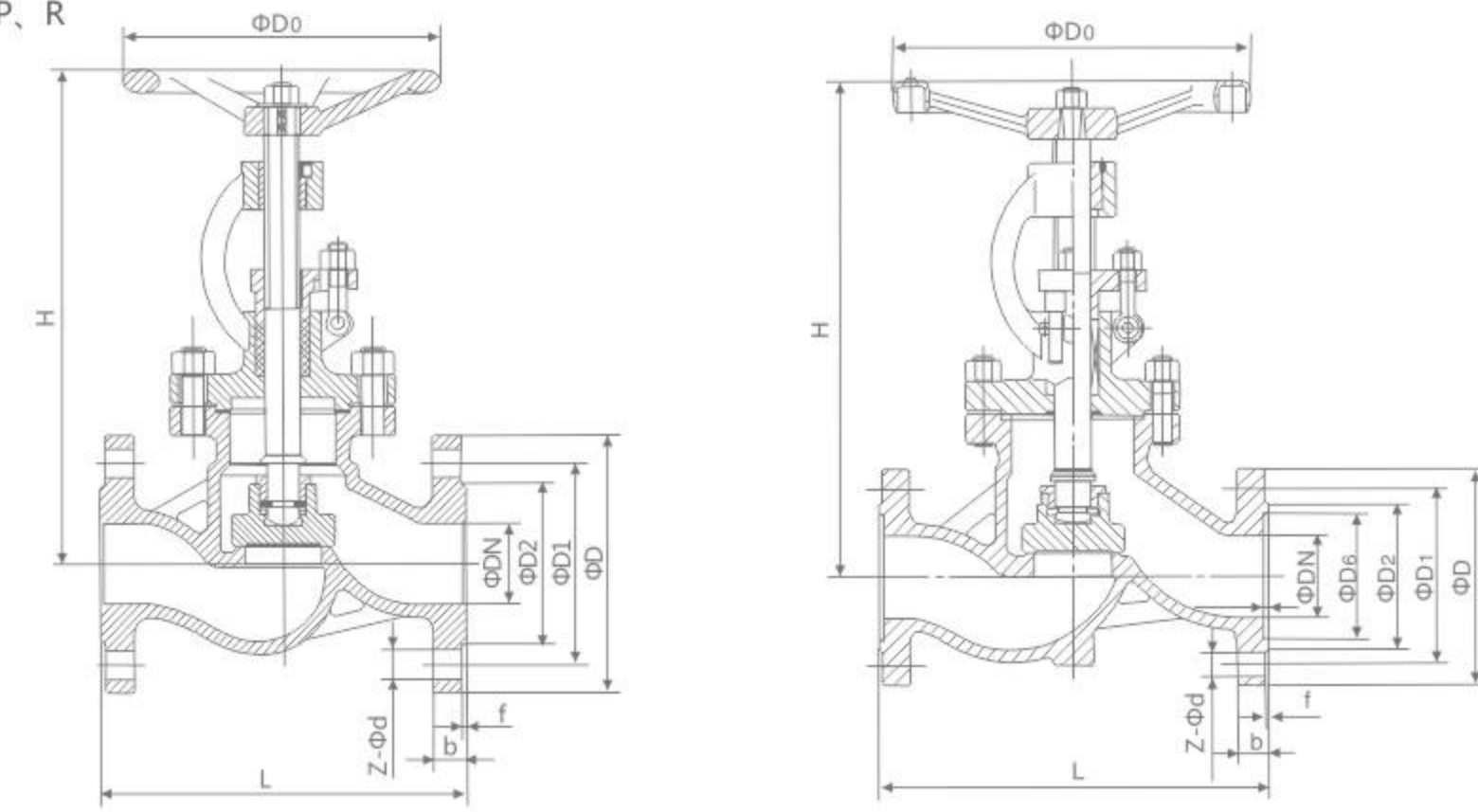
**标准与规范 Standards and norms**

设计与制造 Design and Manufacture	结构长度 Structure Length	压力、温度等级 Pressure、 temperature rating	连接法兰 Connecting flange	检验与试验 Test and Inspection
GB 12235	GB 12221	GB 12224	JB/T 79/82~1994 GB 9113 HG 20592-20635	JB/T 9092-1999 GB 13927

**主要零件材料 Main components material**

名称 Name	材料 Material								
阀体/阀盖 Body/Bonnet	CF8	CF3	CF8M	CF3M	WCB	LCB	WC6	WC9	C5
阀瓣 Wedge	CF8	CF3	CF8M	CF3M	WCB	LCB	WC6	WC9	C5
阀杆 Stem	F304	F304L	F316	F316L	2CR13	F304	F304	F304	F304
阀杆螺母 Stem Nut	铝青铜 Aluminium Bronze								
填料 Packing	PTFE/柔性石墨				石墨 Graphite				
垫片 Gasket	PTFE/金属缠绕垫				石墨 Graphite				
压盖 Gland	CF8	CF3	CF8M	CF3M	WCB	LCB	WC6	WC9	C5
螺栓 Bolt	35CrMoA								
螺母 Nut	不锈钢 Stainless Steel				45、35CrMoA				
手轮 Handwheel	不锈钢 Stainless Steel				铸钢 Cast Steel				

J41  $\frac{W}{Y} - \frac{1.6}{2.5} C, I, P, R$



JB/T79.1-1994  
 JB/T79.2-1994

**主要外形尺寸及连接尺寸 Main external and connection dimension**

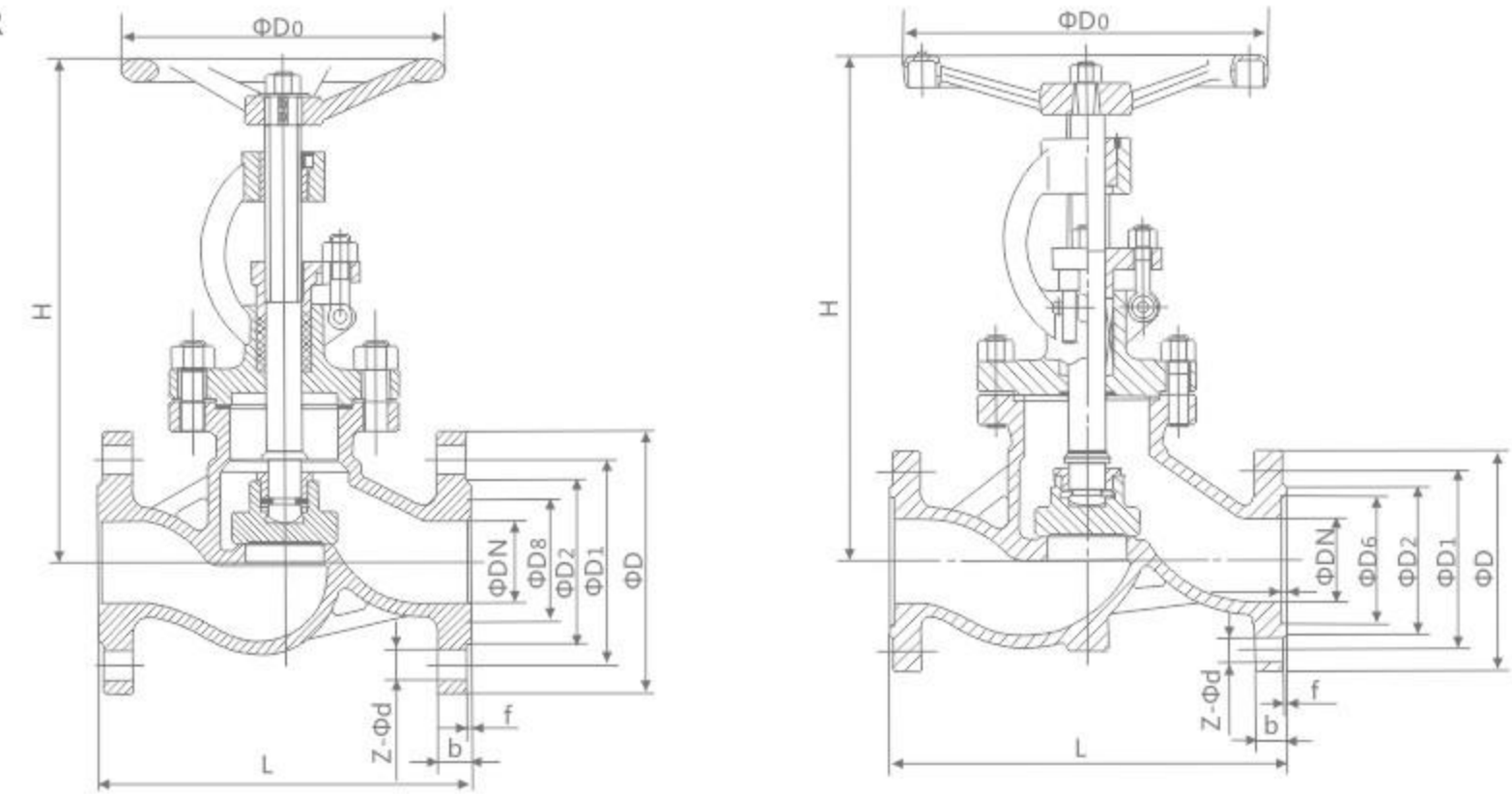
公称压力 PN(MPa)	公称口径 DN(mm)	尺寸 Size(mm)										重量 Weight (Kg)
		L	D	D1	D2	D6	b-f	f2	Z-φd	H	D0	
1.6	10	130	90	60	40	/	14-2	/	4-14	198	120	4.7
	15	130	95	65	45	/	14-2	/	4-14	218	120	5.2
	20	150	105	75	55	/	14-2	/	4-14	230	140	7.1
	25	160	115	85	65	/	14-2	/	4-14	240	160	7.4
	32	180	135	100	78	/	16-2	/	4-18	250	180	8.5
	40	200	145	110	85	/	16-3	/	4-18	262	200	12.5
	50	230	160	125	100	/	16-3	/	4-18	280	240	19.2
	65	290	180	145	120	/	18-3	/	4-18	327	280	26.5
	80	310	195	160	135	/	20-3	/	8-18	355	280	29
	100	350	215	180	155	/	20-3	/	8-18	415	320	41
	125	400	245	210	185	/	22-3	/	8-18	460	360	57
	150	480	280	240	210	/	24-3	/	8-23	510	400	86.5
	200	600	335	295	265	/	26-3	/	12-23	588	400	140
	250	650	405	355	320	/	30-3	/	12-25	725	450	220
	300	750	460	410	375	/	30-4	/	12-25	925	500	325
	350	850	520	470	435	/	34-4	/	16-25	1030	600	590
	400	950	580	525	485	/	36-4	/	16-30	1170	700	750
	450	1050	640	585	545	/	40-4	/	20-30	1220	800	89
500	1150	705	650	608	/	44-4	/	20-34	1410	900	1225	
600	1350	840	770	718	/	48-5	/	20-41	1610	1000	2200	

主要外形尺寸及连接尺寸 Main external and connection dimension

公称压力 PN(MPa)	公称口径 DN(mm)	尺寸Size(mm)										重量 Weight (Kg)
		L	D	D1	D2	D6	b-f	f2	Z-φd	H	D0	
2.5	10	130	90	60	40	/	16-2	/	4-14	198	120	4.9
	15	130	95	65	45	/	16-2	/	4-14	218	120	5.4
	20	150	105	75	55	/	16-2	/	4-14	258	140	7
	25	160	115	85	65	/	16-2	/	4-14	275	160	7.4
	32	180	135	100	78	/	18-2	/	4-18	280	180	8.5
	40	200	145	110	85	/	18-3	/	4-18	330	200	12.5
	50	230	160	120	100	/	20-3	/	4-18	350	240	20
	65	290	180	145	120	/	22-3	/	8-18	400	280	29
	80	310	195	160	135	/	22-3	/	8-18	355	280	32
	100	350	230	190	160	/	24-3	/	8-23	415	320	45
	125	400	270	220	188	/	28-3	/	8-25	460	360	63
	150	480	300	250	218	/	30-3	/	8-25	510	400	90
	200	600	360	310	278	/	34-3	/	12-25	710	400	160
	250	650	425	370	332	/	36-3	/	12-30	786	450	240
300	750	485	430	390	/	40-4	/	16-30	925	500	390	
350	850	550	490	448	/	44-4	/	16-34	1030	600	650	
400	950	610	550	505	/	48-4	/	16-41	1170	700	820	
450	1050	660	600	555	/	50-4	/	20-34	1220	800	960	
500	1150	730	660	610	/	52-4	/	20-41	1450	900	1310	
600	1350	840	770	718	/	56-5	/	20-41	1810	1000	2420	
4.0	10	130	90	60	40	35	16-2	4	4-14	198	120	4.9
	15	130	95	65	45	40	16-2	4	4-14	233	120	5.7
	20	150	105	75	55	51	16-2	4	4-14	275	140	7
	25	160	115	85	65	58	16-2	4	4-14	285	160	8.8
	32	180	135	100	78	66	18-2	4	4-18	302	180	11.8
	40	200	145	110	85	76	18-3	4	4-18	355	200	16.5
	50	230	160	125	100	88	20-3	4	4-18	373	240	24
	65	290	180	145	120	110	22-3	4	8-18	408	280	33
	80	310	195	160	135	121	22-3	4	8-18	436	320	44
	100	350	230	190	160	150	24-3	4.5	8-23	480	360	60
	125	400	270	220	188	176	28-3	4.5	8-25	558	400	89
	150	480	300	250	218	204	30-3	4.5	8-25	611	400	98
	200	600	375	320	282	260	38-3	4.5	12-30	720	400	190
	250	650	445	385	345	313	42-3	4.5	12-34	665	500	265
	300	750	510	450	408	364	46-4	4.5	16-34	720	550	430
	350	850	570	510	465	422	52-4	5	16-34	860	600	715
	400	950	655	585	535	474	58-4	5	16-41	1010	700	900
450	1050	680	610	560	524	60-4	5	20-41	1190	800	1440	
500	1150	755	670	612	576	62-4	5	20-48	1260	900	2660	

注：电动或齿轮传动，价格另计。 Note: Electric or gear drive, the price extra.

J41 W - 6.3  
 Y - 10.0  
 C, I, P, R



主要外形尺寸及连接尺寸 Main external and connection dimension

公称压力 PN(MPa)	公称口径 DN(mm)	尺寸Size(mm)										重量 Weight(Kg)	
		L	D	D1	D2	D6	D8	b-f	f2	Z-φd	H		D0
6.3	10	170	100	70	50	35	/	18-2	4	4-14	198	120	5.7
	15	170	105	75	55	40	/	18-2	4	4-14	195	140	10
	20	190	125	90	68	51	/	20-2	4	4-18	228	160	13
	25	210	135	100	78	58	/	22-2	4	4-18	275	180	14.5
	32	230	150	110	82	66	/	24-2	4	4-23	325	200	19
	40	260	165	125	95	76	/	24-3	4	4-23	360	240	25
	50	300	175	135	105	88	/	26-3	4	4-23	410	280	35
	65	340	200	160	130	110	/	28-3	4	8-23	450	320	48
	80	380	210	170	140	121	/	30-3	4	8-23	485	360	56
	100	430	250	200	168	150	/	32-3	4.5	8-25	537	400	70
	125	500	295	240	202	176	/	36-3	4.5	8-30	631	400	100
	150	550	340	280	240	204	/	38-3	4.5	8-34	646	450	152
	200	650	405	345	300	260	/	44-3	4.5	12-34	813	500	283
	250	775	470	400	352	313	/	48-3	4.5	12-41	985	550	462
300	900	530	460	412	364	/	54-4	4.5	16-41	1214	600	885	
350	1025	595	525	475	422	/	60-4	5	16-41	1432	650	1554	
400	1150	670	585	525	474	/	66-4	5	16-48	1650	700	1850	
10.0	10	170	100	70	50	/	35	20-2	/	4-14	198	120	6
	15	170	105	75	55	/	45	20-2	/	4-14	202	140	11
	20	190	125	90	68	/	50	22-2	/	4-18	228	160	13.2
	25	210	135	100	78	/	65	24-2	/	4-18	250	180	14
	32	230	150	110	82	/	75	24-2	/	4-23	326	220	15
	40	260	165	125	95	/	85	26-3	/	4-23	359	240	29
	50	300	195	145	112	/	110	28-3	/	4-25	414	280	49
	65	340	220	170	138	/	115	32-3	/	8-25	434	320	65
	80	380	230	180	148	/	145	34-3	/	8-25	547	400	95
	100	430	265	210	172	/	145	38-3	/	8-30	621	450	115
	125	500	310	250	210	/	175	42-3	/	8-34	732	450	149
	150	550	350	290	250	/	205	46-3	/	12-34	840	500	310
	200	650	430	360	312	/	265	54-3	/	12-41	925	550	590
	250	775	500	430	382	/	320	60-3	/	12-41	1155	600	991
300	900	585	500	442	/	375	70-4	/	16-48	1340	700	1361	
16.0	15	170	100	75	52	/	35	24-2	/	4-18	148	140	12.2
	20	190	130	90	62	/	45	26-2	/	4-23	156	160	15
	25	210	140	100	72	/	50	28-2	/	4-23	125	180	17
	32	230	165	115	85	/	65	30-2	/	4-25	200	200	21.4
	40	260	175	125	92	/	75	32-3	/	4-27	231	240	32
	50	300	215	165	132	/	95	36-3	/	8-25	262	250	52
	65	340	245	190	152	/	110	44-3	/	8-30	303	320	69
	80	380	260	205	168	/	130	46-3	/	8-30	341	400	98
	100	430	300	240	200	/	160	48-3	/	8-34	485	450	119
	150	550	390	318	270	/	190	74-3	/	12-41	630	550	446
200	650	480	400	345	/	205	78-3	/	12-48	775	700	930	

注：电动或齿轮传动，价格另计。 Note: Electric or gear drive, the price extra.

JB/T794-1994  
 JB/T792-1994

J41 W-150Lb

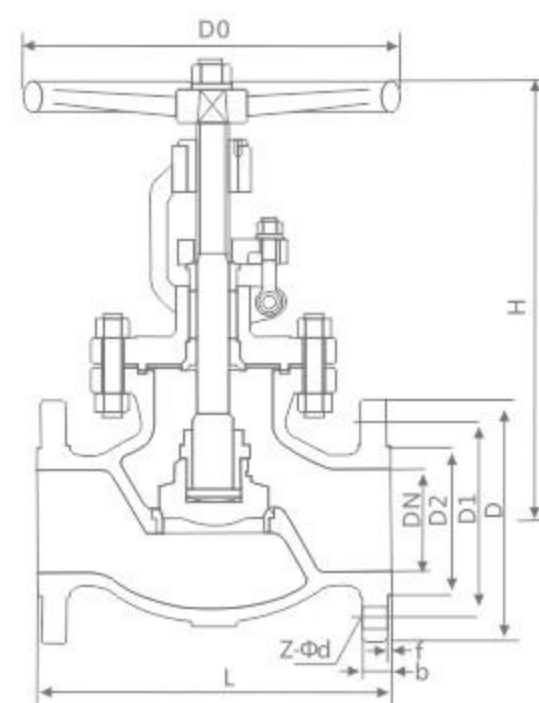
### 产品概述 Products overview

美标截止阀主要有API和ASME标准, ASTM, ASTM是材料标准, 不是阀门本身的标准; 按美国标准设计, 制造, 生产、检测的截止阀叫做美标截止阀。

American standard cut-off valve mainly include API and ASME standard, ASTM, ASTM material standard, not the standard valve itself; According to the American standard design, manufacturing, production, testing, the cut-off valve American standard cut-off valve.

### 产品优点 Product advantages

1. 流体阻力小, 其阻力系数与同长度的管段相等。
  2. 结构简单、体积小、重量轻。
  3. 紧密可靠, 目前闸阀的密封面材料广泛使用塑料、密封性好, 在真空系统中也已广泛使用。
  4. 操作方便, 开闭迅速, 从全开到全关只要旋转90°, 便于远距离的控制。
  5. 维修方便结构简单, 密封圈一般都是活动的, 拆卸更换都比较方便。
  6. 在全开或全闭时, 阀体和阀座的密封面与介质隔离, 介质通过时, 不会引起阀门密封面的侵蚀。
  7. 适用范围广, 口径从小到几毫米, 大到几米, 从真空至高压都可应用, 球旋转90度时, 在进出口处应全部呈现球面, 从而截断流动。
1. The fluid resistance is small, its resistance coefficient with section of equal length.
  2. Simple structure, small volume, light weight.
  3. Compact and reliable, the gate valve sealing surface of materials widely used plastic, sealing is good, have been widely used in the vacuum system.
  4. Easy to operate, open and close quickly, from open to close just rotate 90°, is advantageous for the remote control.
  5. Easy maintenance structure is simple, sealing ring, which generally remove replacement is more convenient.
  6. In the fully open or fully closed, the valve body and seat sealing surface and the dielectric isolation, medium through, does not cause the valve sealing surface erosion.
  7. Applicable scope is wide, size from small to several millimeters, big to a few meters, from high vacuum to high pressure can be applied, the ball rotate 90 degrees, in the inlet and outlet should be completely present spherical, thereby cutting flow.



### 标准 Standard

设计与制造	结构长度	法兰尺寸	对焊连接尺寸	压力-温度	试验-检验
ANSI B16.34 BS1873	ANSI B16.10	ANSI B16.5	ANSI B16.25	ANSI B16.34	API 598

### 压力试验 Pressure test

公称压力 PN(Lb)	强度试验		水密封试验		气密封试验	
	MPa	Lbf/in2	MPa	Lbf/in2	MPa	Lbf/in2
150	3.0	430	2.2	315	0.4-0.7	60-100
300	7.7	1110	5.7	815		
600	15.3	2220	11.3	1630		
900	23.0	3330	17.0	2445		
1500	38.4	5560	28.2	4080		
2500	64.0	9255	47.0	6790		

### 主要零件材料及性能 Major parts material and the performance

体盖	阀杆	密封面	垫片(环)	填料	工作温度	适用介质
WCB	2Cr13	CF8/13Cr/STL 本体材料/尼龙	增强柔性石墨 13Cr/柔性石墨 SFB-2 08软钢 F304 F316 F304L F316L	柔性石墨 增强柔性石墨	≤ 425	水蒸汽油品
WC1	38CrMoAl				≤ 425	
WC6					≤ 540	
WC9					≤ 570	
C5 C12					≤ 540	
CF8					F304	≤ 200
CF8M	F316					
CF3	F304L					
CF3M	F316L					

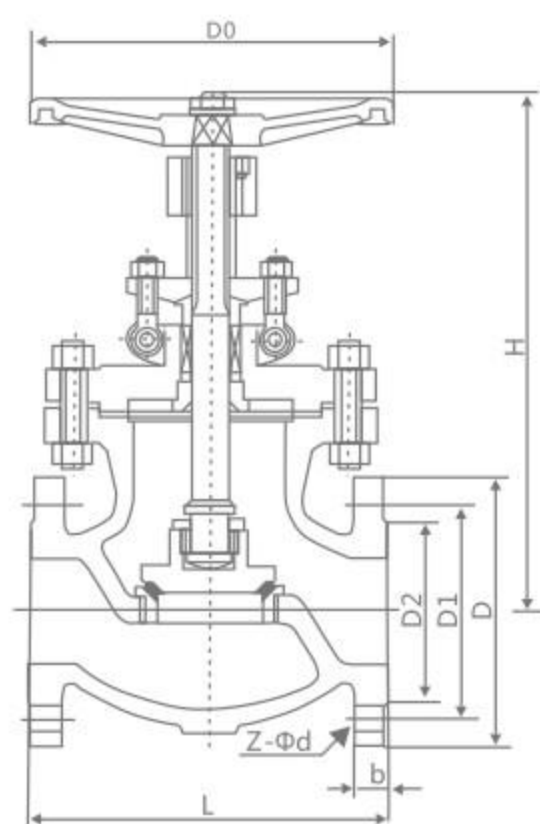
注: 电动或齿轮传动, 价格另计。 Note: Electric or gear drive, the price extra.

### 主要尺寸和重量 Main dimensions and weight

DN		150Lb 凸面法兰 (RF) 主要尺寸 (mm)								重量
mm	in	L	D	D1	D2	b	N-Φd	H	D0	
15	1/2	108	89	60.5	35	11.2	4-16	241	100	6.9
20	3/4	117	98	69.9	43	12.7	4-16	241	100	9.8
25	1	127	108	79.2	51	14.2	4-16	242	125	13.5
32	1 1/4	140	117	89	63	16	4-16	280	160	19.5
40	1 1/2	165	127	98.6	73	17.5	4-16	286	160	28.5
50	2	203	152	120.7	92	19	4-19	368	200	18
65	2 1/2	216	178	139.7	105	22.4	4-19	387	200	30
80	3	241	190	152.4	127	24	4-19	411	250	41
100	4	292	229	190.5	157	24	4-19	454	250	64
125	5	356	254	216.0	186	24	8-22.5	455	350	86
150	6	406	279	241.3	216	25.4	8-22.5	541	350	113
200	8	495	343	298.5	270	28.4	8-22.5	651	450	178
250	10	622	406	362.0	324	30.2	12-25.4	800	450	270
300	12	698	483	431.8	381	32	12-25.4	1231	600	350
350	14	787	533	476.3	413	35	12-29	1450	600	460
400	16	914	597	539.8	470	36.6	16-29	1645	600	590

DN		300Lb 凸面法兰 (RF) 主要尺寸 (mm)								重量
mm	in	L	D	D1	D2	B	N-Φd	H	D0	
15	1/2	152	95	66.5	35	14.2	4-16	241	140	7.7
20	3/4	178	117	82.5	43	16	4-19	241	140	11.3
25	1	203	123	89	51	17.5	4-19	283	160	16.8
32	1 1/4	216	133	98.5	63	19	4-19	320	200	21.2
40	1 1/2	229	155	114.3	73	20.6	4-22.5	322	200	32.6
50	2	267	165	127	92	22.4	8-19	399	200	25
65	2 1/2	292	190	149.4	105	25.4	8-22.5	438	250	30
80	3	318	210	168.1	127	28.4	8-22.5	464	280	35
100	4	356	254	200.2	157	31.8	8-22.5	565	350	56
125	5	400	279	235	186	35	8-22.5	614	350	96
150	6	444	318	269.7	216	36.6	12-25.4	717	400	120
200	8	559	381	330.2	270	41.2	12-25.4	930	500	212
250	10	622	444	387.4	324	47.8	16-28.5	1012	550	330
300	12	711	521	450.8	381	50.8	16-32	1231	600	472
350	14	838	584	514.4	413	54	20-32	1450	600	715
400	16	864	648	571.5	470	57.2	20-35	1645	600	920

DN		600Lb 凸面法兰 (RF) 主要尺寸 (mm)								重量
mm	in	L	D	D1	D2	B	N-Φd	H	D0	
15	1/2	165	95	66.5	35	14.5	4-16	285	100	7.8
20	3/4	190	117	82.5	43	16	4-19	285	125	12.5
25	1	216	124	89	51	17.5	4-19	313	160	17.5
32	1 1/4	229	133	98.5	63	21	4-19	328	160	23.5
40	1 1/2	241	156	114.3	73	22.5	4-22.5	365	180	38.5
50	2	292	165	127	92	33	8-19	444	200	35
65	2 1/2	330	190	149.4	105	36	8-22.5	483	250	50
80	3	356	210	168.1	127	39	8-22.5	533	250	60
100	4	432	273	216	157	45	8-25.4	622	350	110
125	5	508	330	266.7	186	52	8-28.5	750	350	200
150	6	559	356	292.1	216	55	12-28.5	800	450	230
200	8	660	419	349.3	270	63	12-32	927	500	410
250	10	787	508	431.8	324	71	16-35	1257	600	625
300	12	838	559	489	381	74	20-35	1468	680	860



执行标准 Execution standard

设计与制造	结构长度	法兰尺寸	压力-温度	试验-检验
JIS B2071 B2081	JIS B2002	JIS B2212 B2214	JIS B2071 B2081	JIS B2003

性能规范 The performance specification

阀体材料	SCPH2-11	SCPH-32	SCS13A	SCS19A	SCS14A	SCS16A	SCPL1
适用温度	≤425°C	≤540°C	≤275°C	≤200°C	≤275°C	≤200°C	-45~-150°C
适用介质	水蒸气油品		硝酸类		醋酸类		氨气液氨

规格主要尺寸 Main size

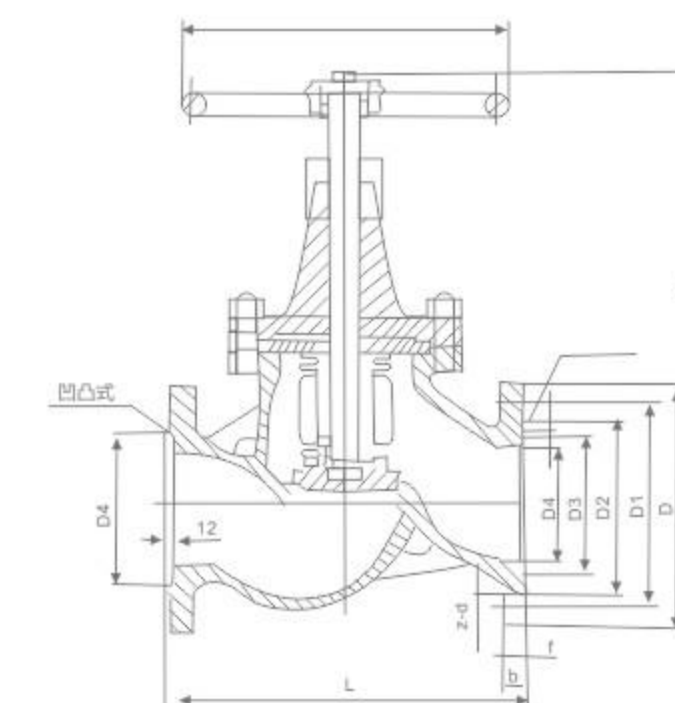
DN		10K							
mm	Im	L	D	D1	D2	b	n-φd	H	D0
50	2	203	155	120	100	16	4-φ19	360	200
65	2 1/2	216	175	140	120	18	4-φ19	380	200
80	3	241	185	150	130	18	8-φ19	415	250
100	4	292	210	175	155	18	8-φ19	465	250
125	5	356	250	210	185	20	8-φ23	515	300
150	6	406	280	240	215	22	8-φ23	545	350
200	8	495	330	290	265	22	12-φ23	675	450
		20K							
50	2	267	155	120	100	18	8-φ19	420	200
65	2 1/2	292	175	140	120	20	8-φ19	465	250
80	3	318	200	160	135	22	8-φ23	490	300
100	4	356	225	185	160	24	8-φ23	590	350
125	5	400	270	225	195	26	8-φ25	690	400
150	6	444	305	260	230	28	12-φ25	760	450
200	8	559	350	305	275	30	12-φ25	1070	450

结构特点及用途 Structural characteristics and USES

1. 中通法兰为方形结构，阀杆采用间杆连接。
  2. 阀体密封面部位采用球凸状，与阀脚以线吻合密封。
  3. 密封面采用巴氏合金，密封性能好，使用寿命长。
1. Zhongtong flange is square structure, stem connection between the rod.
  2. The valve sealing surface parts adopt convexity, sealed with valve feet in line.
  3. Sealing surface adopts babbitt, good sealing performance, long service life

性能规范 Performance specification

适用介质：氨，氨液，氨水  
 适用温度：-196°C-36°C  
 Applicable medium: ammonia, ammonia liquid, ammonia water  
 Applicable temperature: 196 °C to 36 °C



试验压力 Test pressure

公称压力PN(MPa)	试验压力(MPa)	
	壳体强度试验	密封试验
1.6	2.4	1.76
2.5	3.75	2.75

主要零件材料 Major parts material

产品类型	零件名称				
	阀杆	填料	密封面	垫片	紧固件
J41B-16/25C	碳钢、不锈钢	聚四氟乙烯	巴氏合金/PTFE	石棉橡胶板	优质碳钢
J41B-16/25Q	碳钢、不锈钢	聚四氟乙烯	巴氏合金/PTFE	石棉橡胶板	优质碳钢
J41B-16/25K	碳钢、不锈钢	聚四氟乙烯	巴氏合金/PTFE	石棉橡胶板	优质碳钢

主要外形尺寸及连接尺寸 Main external and connection dimension

公称通径 DN(mm)	主要外形尺寸及连接尺寸(mm)										
	L	D	D1	D2	D6	b	f	f2	z-d	H	D0
J41B-16C J41B-16Q J41B-16K											
10	130	90	60	40	35	14	2	4	4-14	196	120
15	130	95	65	45	40	14	2	4	4-14	196	120
20	150	105	75	55	51	16	2	4	4-14	196	140
25	160	115	85	65	58	16	2	4	4-14	204	160
32	180	135	100	78	66	18	2	4	4-18	208	160
40	200	145	110	85	76	18	3	4	4-18	248	200
50	230	160	125	100	88	20	3	4	4-18	248	200
65	290	180	145	125	110	22	3	4	4-18	321	240
80	310	195	160	135	121	24	3	4	8-18	325	240
100	350	215	180	155	150	24	3	4.5	8-18	371	280
125	400	245	210	185	176	26	3	4.5	8-18	400	320
150	480	280	240	210	204	26	3	4.5	8-23	432	320
200	600	335	295	265	260	30	3	4.5	12-23	654	400
250	650	405	335	320	313	32	3	4.5	12-25	745	500
300	700	460	410	375	364	34	3	4.5	12-25	852	600

# PLUNGER GLOBE VALVE

## UJ41H柱塞截止阀

# PLUNGER GLOBE VALVE

## UJ41H柱塞截止阀

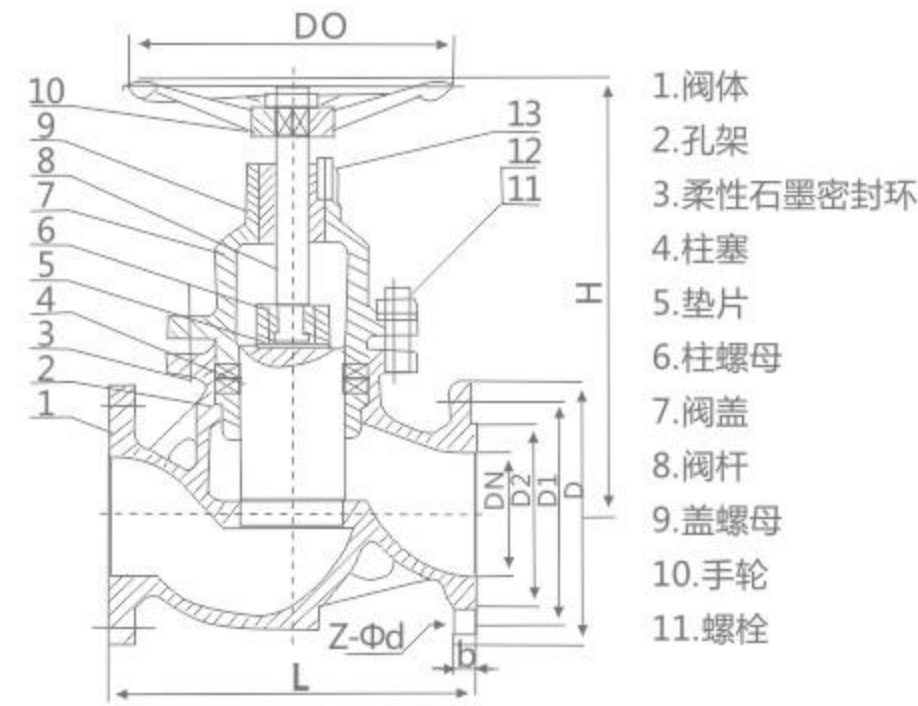
U41S U41F U41SF U41SM U41X U41S

### 结构及工作原理 Structure and working principle

柱塞式截止阀是由阀体、阀盖、阀杆、柱塞、密封圈、手轮等零七八碎件组成(如图)。当旋转手轮时,通过阀杆带动柱塞,使柱塞顶斜锥面与阀座锥面往复离合,完成阀门的开启和关闭。在阀门中,柱塞与密封圈间采用过盈配合。通过调节阀盖固定螺栓的压紧,使密封圈被压缩,内圈紧包柱塞外圈紧贴阀腔内壁,这样在密封圈上所产生的径向分力将在于流体的压力,从而保证了密封性,杜绝了外泄漏。由于密封圈采用回弹性强,而磨性高的无毒新型密封材料,所以密封可靠、经久耐用。阀座与柱塞的锥面密封部位,采用优质耐腐材料,能保证阀门的使用寿命。

本阀门结合柱塞阀的无泄漏优点和截止阀的启闭快特点,成为一个结构新颖、用途广泛的新品种。

Plunger valve by valve body, valve cover, stem, plunger, sealing ring, hand wheel and sporadic form attachments (see chart). When rotating the handwheel, through the valve rod drives the plunger, the plunger reciprocating inclined cone and seat cone clutch, complete opening and closing of the valve. In the valve, USES the interference fit between plunger and seal. Pressure across the valve cover retaining bolt tight, make the seal ring is compressed, inner ring present tight circle against the valve cavity wall, beyond the Great Wall so on sealing ring radial component force would be generated by the pressure of the fluid, thus ensuring the sealing, to eliminate the external leakage. The adoption of resilience is strong, sealing ring and bonding high nontoxic new sealing material, so the sealing is reliable, durable. Seat and taper sealing plunger parts, using high quality materials, resistant to ensure the service life of the valve. This combination of plunger valve without leakage valve advantages, and the characteristics of the valve opening and closing fast, become a new structure, USES a wide range of new varieties.



1. 阀体
2. 孔架
3. 柔性石墨密封环
4. 柱塞
5. 垫片
6. 柱螺母
7. 阀盖
8. 阀杆
9. 盖螺母
10. 手轮
11. 螺栓

### 应用规范 Application specification

设计与制造 Design and manufacture	柱塞阀、柱塞截止阀、GB12235, 柱塞阀GB12234
结构长度 length of the structure	国标GB12221、部标JB97、美标ANSI、B16.10
法兰结构尺寸 Flange structure size	JB81-59、HB5010-58、HG20592 20635、ANSI、B16.5
检查和试验 Inspection and test	按GB/T13927-1992或IBJ16006-1990、API598之规定

### 性能规范 Performance specification

阀体材料 Valve body material	适用温度 Suitable temperature	适用介质 Applicable medium	范围压力 scope of the pressure
铸钢 Cast steel	≤425°C	水、蒸气、石油 Water, steam, oil	PN1.6 - 10
不锈钢 Stainless steel	≤300°C	硝酸、醋酸 Nitric acid, acetic acid	PN1.6 - 10
含钼不锈钢 Molybdenum stainless steel	≤300°C	氮、氢、氨、尿素 Nitrogen, hydrogen, ammonia and urea	PN1.6 - 10
蒙乃尔 monel	≤300°C	氢、氟、酸 Hydrogen, fluorine, acid	PN1.6 - 10
铬钼钒钢 Molybdenum chrome vanadium steel	≤600°C	蒸气、石油 Steam, oil,	PN1.6 - 10

### 主要外形尺寸及连接尺寸 Main external and connection dimension

16C UJ41W-16P UJ41W-16R

DN	L	D	D1	D2	b	Z-Φd	H≈	H1≈	D0	重量(公斤)
15	130	95	65	45	14	4-14	145	157	100	3.5
20	150	105	75	55	14	4-14	149	165	120	4.4
25	160	115	85	65	14	4-14	166	84	140	5.6
32	180	135	100	78	16	4-18	187	213	160	8.5
40	200	145	110	85	16	4-18	208	236	180	11.0
50	230	160	125	100	16	4-18	234	268	220	15.0
65	290	180	145	120	18	4-18	284	330	240	21.0
80	310	195	160	135	20	8-18	314	358	280	30.0
100	350	215	180	155	20	8-18	365	427	320	41.0
125	400	245	210	185	22	8-18	401	475	360	60.0
150	480	280	240	210	24	8-23	415	505	400	82.0
200	600	335	295	265	26	12-23	508	626	450	147.0
250	650	405	355	320	30	12-25	590	740	500	220.0
300	750	460	410	375	30	12-25	1000	1160	560	290
350	850	520	470	435	34	16-25	1040	1210	640	450
400	914	580	525	485	36	16-30	1200	1400	720	725

25C UJ41W-25P UJ41W-25R

DN	L	D	D1	D2	b	Z-Φd	H≈	H1≈	D0	重量(公斤)
15	130	95	65	45	16	4-14	145	157	100	3.5
20	150	105	75	55	16	4-14	149	165	120	4.4
25	160	115	85	65	16	4-14	166	84	140	5.6
32	180	135	100	78	18	4-18	187	213	160	8.5
40	200	145	110	85	18	4-18	208	236	180	12.0
50	230	160	125	100	18	4-18	234	268	220	16.0
65	290	180	145	120	20	8-18	284	330	240	22.0
80	310	195	160	135	22	8-18	314	358	280	32.0
100	350	230	190	160	24	8-23	365	427	320	46.0
125	400	270	220	188	28	8-25	401	475	360	65.0
150	480	300	250	218	30	8-25	415	505	400	92.0
200	600	360	310	278	34	12-25	508	626	450	165.0
250	650	425	370	332	36	12-30	590	740	500	250.0
300	750	485	430	390	40	16-30	1000	1160	560	305
350	850	550	490	448	44	16-34	1040	1210	640	470
400	914	610	550	505	48	16-34	1200	1400	720	780

40C UJ41W-40P UJ41W-40R

DN	L	D	D1	D2	D6	b	Z-Φd	H≈	H1≈	D0	重量(公斤)
15	130	95	65	45	40	16	4-14	145	157	100	3.5
20	150	105	75	55	51	16	4-14	149	165	120	4.4
25	160	115	85	65	58	16	4-14	166	84	140	5.6
32	180	135	100	78	66	18	4-18	187	213	160	8.5
40	200	145	110	85	76	18	4-18	208	236	180	12.0
50	230	160	125	100	88	20	4-18	234	268	220	16.0
65	290	180	145	120	110	22	4-18	284	330	240	22.0
80	310	195	160	135	121	22	8-18	314	358	280	32.0
100	350	230	190	160	150	24	8-23	365	427	320	46.0
125	400	270	220	188	176	28	8-25	401	475	360	70.0
150	480	300	250	218	204	30	8-25	415	505	400	93.0
200	600	375	320	282	260	38	8-30	508	626	450	185.0
250	650	445	385	345	313	42	12-34	590	740	500	275
300	750	510	450	408	364	46	12-34	1000	1160	560	340
350	850	570	510	465	422	52	16-34	1040	1210	640	510
400	914	655	585	535	474	58	16-41	1200	1400	720	850

64C UJ41W-64P UJ41W-64R

DN	L	D	D1	D2	D6	b	Z-Φd	D0
15	170	105	75	55	41	18	4-14	140
20	190	125	90	68	51	20	4-18	160
25	210	135	100	78	58	22	4-18	180
32	230	150	110	82	66	24	4-23	200
40	260	165	125	95	76	24	4-23	240
50	300	175	135	105	88	26	4-23	280
65	340	200	160	130	110	28	8-23	320
80	380	210	170	140	121	30	8-23	360
100	430	250	200	168	150	32	8-25	400
125	500	295	240	202	176	36	8-30	450
150	550	340	280	240	204	38	8-34	500
200	600	405	345	300	260	44	12-34	560
250	650	470	400	352	313	48	12-41	640
300	750	530	460	412	364	54	16-41	800

# INSULATION GLOBE VALVE

## 保温截止阀

BJ45H/Y-15-40C/P/R

### 产品概述 Product overview

保温截止阀，是使用最广泛的一种阀门，它之所以广受欢迎，是由于开启过程中密封面之间摩擦力小，比较耐用，开启高度不大，制造容易，维修方便，不仅适用于中低压，而且适用于高压。它的闭合原理是，依靠阀杆压力，使阀瓣密封面与阀座密封面紧密贴合，阻止介质流通。

保温截止阀只许介质单向流动，安装时有方向性。它的结构长度大于闸阀，同时流体阻力大，长期运行时，密封可靠性不强。

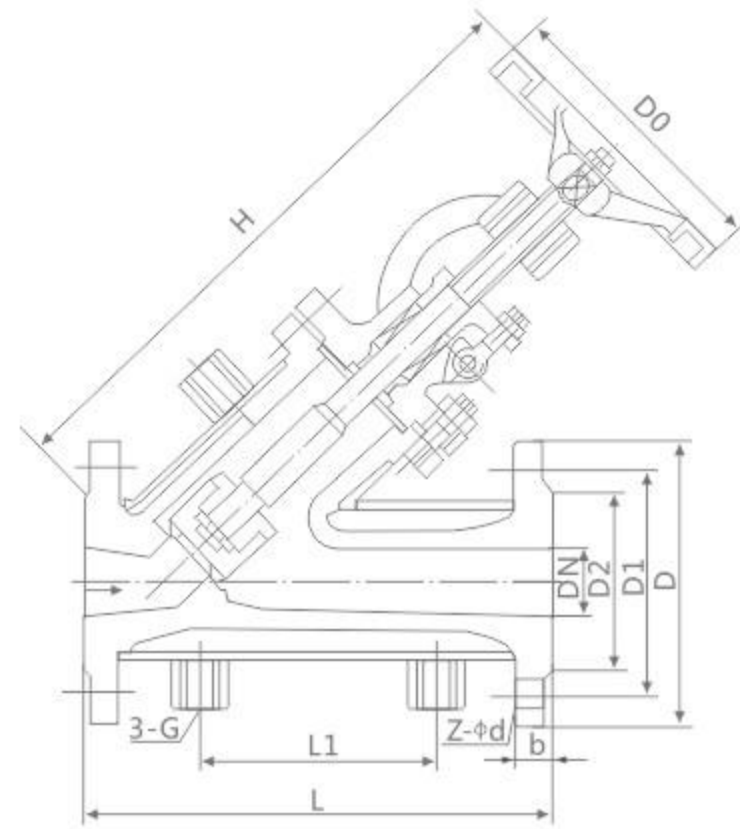
保温截止阀分为三类：直通式、直角式及直流式斜截止阀。

### 产品优点 Product advantages

- 1、结构简单，制造和维修比较方便。
- 2、工作行程小，启闭时间短。
- 3、密封性好，密封面间摩擦力小，寿命较长。

### 产品缺点 Product defect

- 1、流体阻力大，开启和关闭时所需力较大。
- 2、不适用于带颗粒、粘度较大、易结焦的介质。
- 3、调节性能较差。



### 主要外形和连接尺寸 Main external and connection dimension

单位Unit:mm

公称口径 DN	PN2.5/4.0MPa							G	H	D0	WT (kg)
	L	L1	D	D1	D2	b	Z-φd				
	BJ45H-25 BJ45HY-25P BJ45Y-25R BJ45Y-25R3										
15	130	50	95	65	45	16-2	4-Φ14	1/2"	210	120	15
20	150	60	105	75	55	16-2	4-Φ14	1/2"	240	140	21
25	160	70	115	85	65	16-2	4-Φ14	1/2"	250	160	25
32	180	80	135	100	78	18-2	4-Φ18	1/2"	270	160	30
40	200	100	145	110	85	18-3	4-Φ18	1/2"	310	160	36
50	230	110	160	125	100	20-3	4-Φ18	3/4"	330	240	40
65	290	130	180	145	120	22-3	8-Φ18	3/4"	360	240	54
80	310	150	195	160	135	22-3	8-Φ18	3/4"	400	280	70
100	350	200	230	190	160	24-3	8-Φ23	1"	480	320	100
125	400	210	270	220	188	28-3	8-Φ25	1"	550	360	130
150	480	240	300	250	218	30-3	8-Φ25	1"	620	300	170
200	600	300	360	310	278	34-3	12-Φ25	1"	750	400	250
	BJ45H-40 BJ45HY-40P BJ45Y-40R BJ45Y-40R3										
15	130	50	95	65	45	16-2	4-Φ14	1/2"	210	120	18
20	150	60	105	75	55	16-2	4-Φ14	1/2"	240	140	21
25	160	70	115	85	65	16-2	4-Φ14	1/2"	250	160	25
32	180	80	135	100	78	18-2	4-Φ18	1/2"	270	160	33
40	200	100	145	110	85	18-3	4-Φ18	1/2"	310	160	41
50	230	110	160	125	100	20-3	4-Φ18	3/4"	330	240	45
65	290	130	180	145	120	22-3	8-Φ18	3/4"	360	240	62
80	310	150	195	160	135	22-3	8-Φ18	3/4"	400	280	80
100	350	200	230	190	160	24-3	8-Φ23	1"	480	320	100
125	400	210	270	220	188	28-3	8-Φ25	1"	550	360	130
150	480	240	300	250	218	30-3	8-Φ25	1"	620	300	185
200	600	300	375	320	282	38-3	12-Φ30	1"	750	400	168

# STAINLESS STEEL ANTIBIOTIC FLANGE GLOBE VALVE

## 不锈钢抗生素法兰截止阀

KJ41F-16-40/P/R

### 产品用途 Product use

抗生素截止阀主要应用于生物发酵、医药和啤酒发酵、氨基酸发酵、生物农药发酵、生物肥料发酵、生物、生化、化学特药的物料、水、汽、冷的控制等领域，底部可以根据客户需要开设排泄孔，耐高温使用寿命长，无死角达到零泄漏水平。

### 产品特点 Product features

- 1、具有较强的杀菌、消毒功能，防止产品染菌。
- 2、密封垫采用耐高温聚四氟乙烯复合材料制成。
- 3、密封垫、阀体中道密封圈，阀杆填料全部采用优质聚醚醚酮材料。寿命长、耐腐蚀，确保无内外漏。
- 4、流线型的流道，使得压力损失小。
- 5、密封垫可更换，拆卸更方便，维护费用低。

### 主要设计参数 Main design parameters:

口径范围 Scope: DN150~DN300

压力范围 Pressure range: PN16-PN40

温度范围 Temperature range: -20~200°C

传动方式 Drive mode: 手动Manual、电动Electric

阀体材质 Body material: 铸钢Cast steel、不锈钢Stainless steel

连接方式 Connection: 法兰Flange

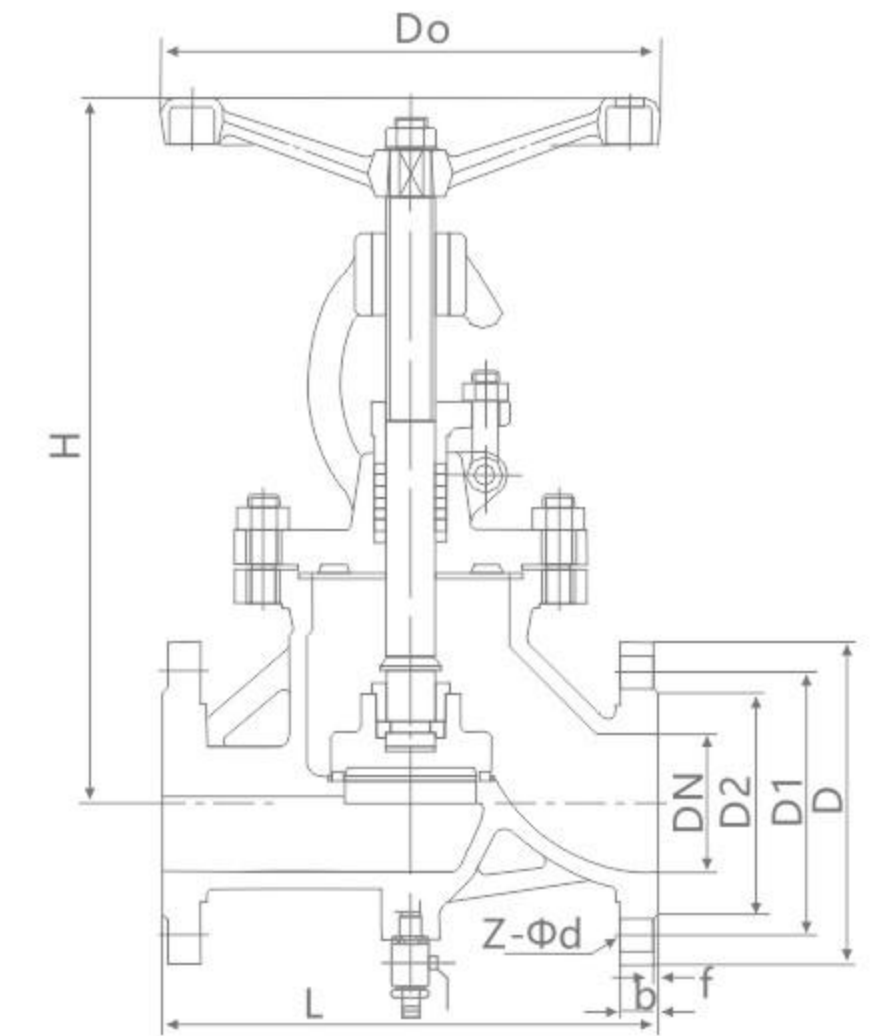
### 设计和制造标准 Design and Manufacturing standards

设计与制造 Design and Manufacturing: GB/T 12235

法兰尺寸 Flange size: JB/T 79.1~2

结构长度 Structure length: GB/T12221

检验与试验 Testing and Testing: JB/T 9092



### 产品主要性能规范 Product main performance specifications

公称压力PN		1.6MPa	
试验压力 Test pressure	强度试验Strength test	2.4	MPa
	密封试验Sealing test	1.76	
	上密封试验Back seal test	1.76	
	气密封试验Gas seal test	0.6	
最高工作温度Highest working temperature		120	°C
适用介质：酸、水、蒸汽、食品等 Applicable medium: Acid, water, steam, food, etc.			

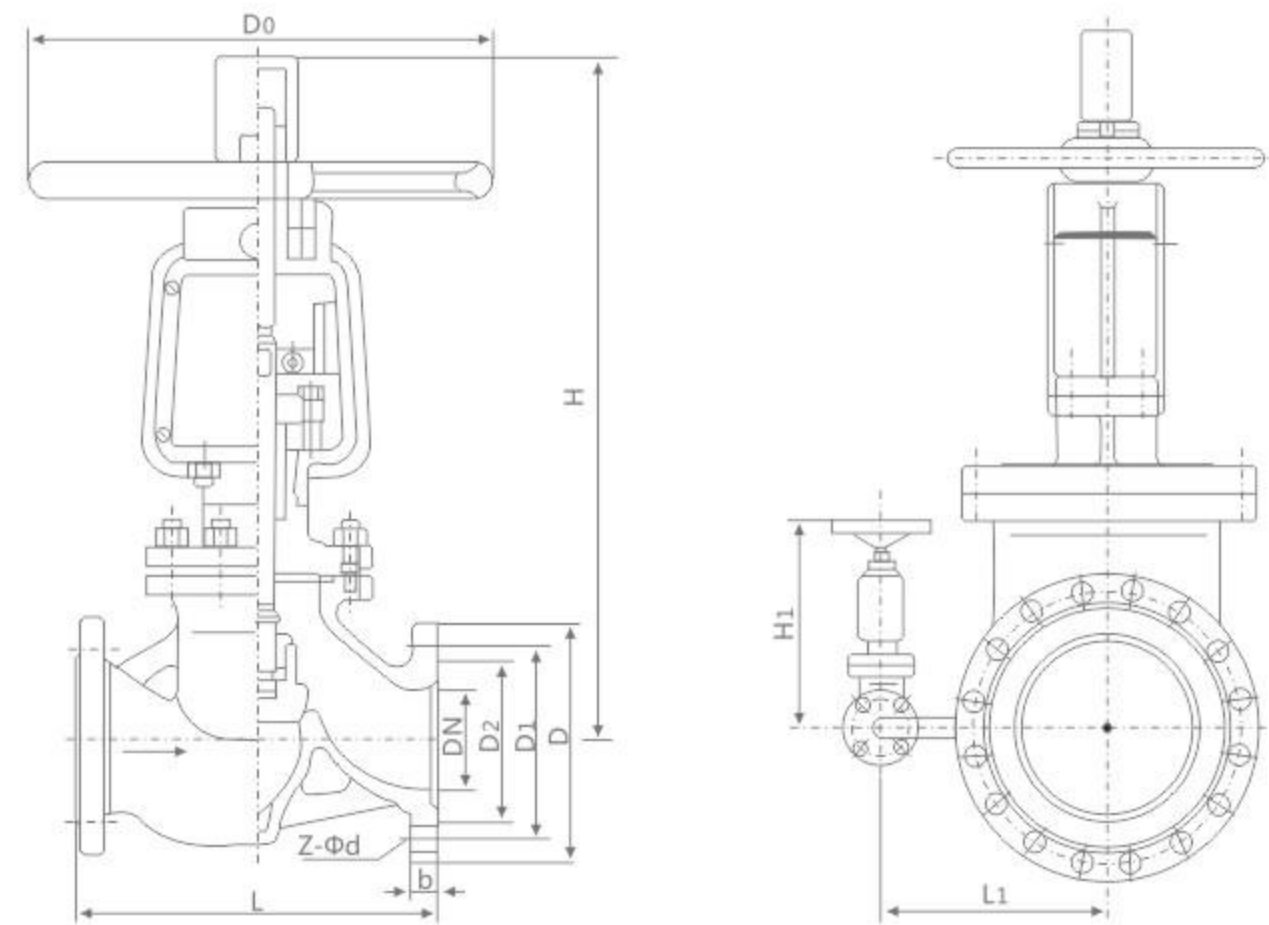
### 主要外形和连接尺寸 Main external and connection dimension

规格 DN	主要连接尺寸Main connecting dimensions								
	L	D	D1	D2	b	Z-φd	H1	H2	D0
15	130	95	65	45	14	4-Φ14	252	194	120
20	150	105	75	55	14	4-Φ14	270	200	120
25	160	115	85	65	14	4-Φ14	310	235	140
32	180	135	100	78	15	4-Φ18	322	260	160
40	200	145	110	85	16	4-Φ18	360	345	180
50	230	160	125	100	16	4-Φ18	408	370	200
65	290	180	145	120	18	4-Φ18	435	420	240
80	310	195	160	135	20	8-Φ18	475	455	280
100	350	215	180	155	20	8-Φ18	525	495	320
125	400	245	210	185	22	8-Φ18	600	570	360
150	480	280	240	210	24	8-Φ23	675	630	400
200	600	335	295	265	26	12-Φ23	730	700	500

# STAINLESS STEEL OXYGEN SPECIAL GLOBE VALVE

不锈钢氧气专用截止阀

YJ41H-25-40P/T



主要外形及和连接尺寸 Main external and connection dimension

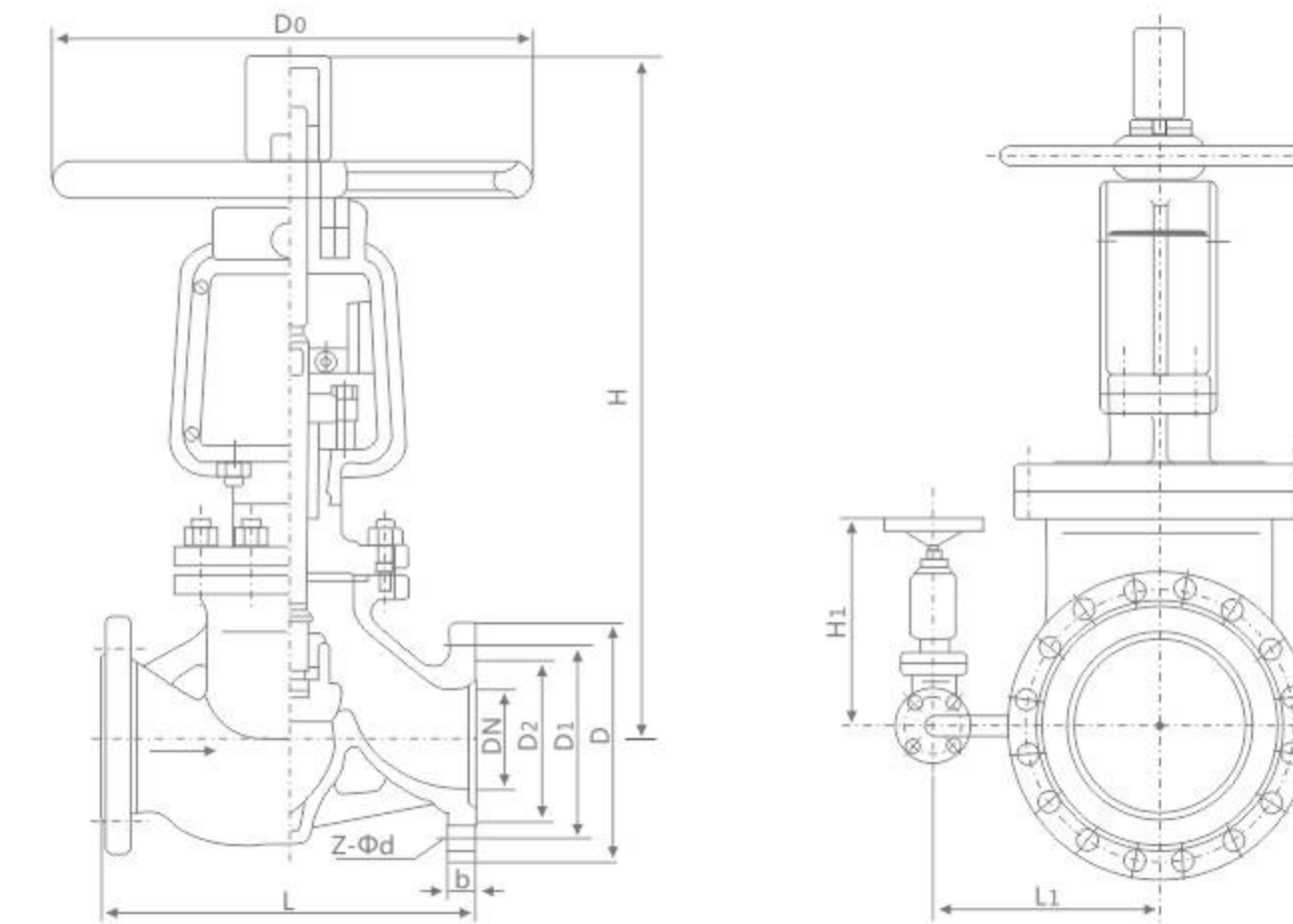
JB/T79.1  
单位Unit:mm

公称通径 DN	主要外形尺寸和连接尺寸 ( mm ) Main External and Connection Dimension										WT (kg)
	L	D	D1	D2	b	Z-Φd	Do	H	H1	L1	
YJ41W-25P YJ41W-25T											
15	130	95	65	45	16	4-14	100	190	-	-	5
20	150	105	75	55	16	4-14	100	213	-	-	6.5
25	160	115	85	65	16	4-14	125	236	-	-	7
32	180	135	100	78	18	4-18	182	312	-	-	13.5
40	200	145	115	85	18	4-18	160	328	-	-	16
50	230	160	125	100	20	4-18	320	450	-	-	32
65	290	180	145	120	22	8-18	360	530	-	-	46
80	310	195	160	135	22	8-18	400	560	-	-	60
100	350	230	190	160	24	8-23	450	618	-	-	80
125	400	270	220	188	28	8-25	450	675	-	-	107
150	480	300	250	218	30	8-25	560	743	-	-	134
200	600	360	310	278	34	12-25	640	850	-	-	268.7
250	650	425	370	332	36	12-30	720	975	340	330	449
300	750	485	430	390	40	16-30	800	1115	340	415	663
400	950	610	550	505	48	16-34	900	1330	340	465	1170

# STAINLESS STEEL OXYGEN SPECIAL GLOBE VALVE

不锈钢氧气专用截止阀

YJ41H-25-40P/T



主要外形及和连接尺寸 Main external and connection dimension

JB/T79.2  
单位Unit:mm

公称通径 DN	主要外形尺寸和连接尺寸 ( mm ) Main External and Connection Dimension											WT (kg)
	L	D	D1	D2	D6	b	Z-Φd	Do	H	H1	L1	
YJ41W-40P YJ41W-40T												
15	130	95	65	45	40	16	4-14	100	202	-	-	5
20	150	105	75	55	51	16	4-14	100	225	-	-	6.5
25	160	115	85	65	58	16	4-14	125	236	-	-	7
32	180	135	100	78	66	18	4-18	180	312	-	-	13.5
40	200	145	110	85	76	18	4-18	160	328	-	-	16
50	230	160	125	100	88	20	4-18	320	450	-	-	32
65	290	180	145	120	110	22	8-18	360	530	-	-	45
80	310	195	160	135	121	22	8-18	400	560	-	-	60
100	350	230	190	160	150	24	8-23	450	618	-	-	80
125	400	270	220	188	176	28	8-25	450	675	-	-	105
150	480	300	250	218	204	30	8-25	560	743	-	-	134
200	600	375	320	282	260	38	12-30	640	850	-	-	266
250	650	445	385	345	313	42	12-34	720	975	380	340	491
300	750	510	450	408	364	46	16-34	800	1115	415	340	705
400	950	655	585	535	474	58	16-41	900	1425	465	340	1234



# CRYOGENIC GLOBE VALVE

## DJ41F-16/40P低温截止阀

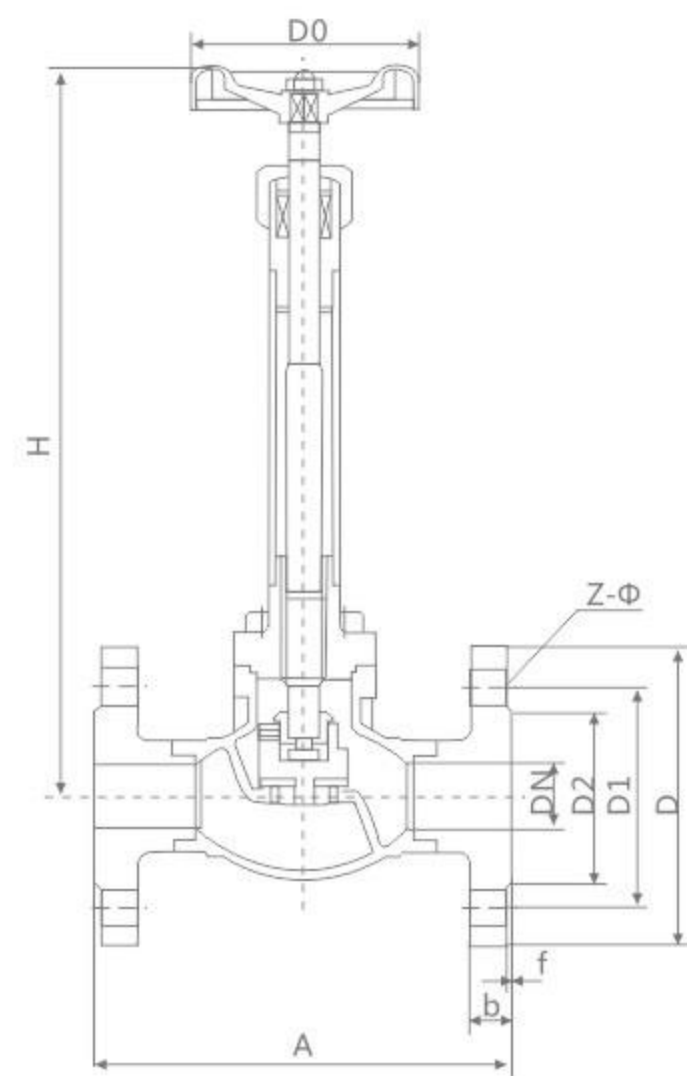
DJ41F-16/40P

### 产品规范

公称压力：1.6MPa  
 公称通径：10mm~200mm  
 适用介质：L02、LN2、LAr、LNG、LC2H4等  
 适用温度：-196~+80℃  
 连接方式：法兰  
 介质流向：由阀瓣下面向上流

### Product specification

Nominal pressure: 1.6 MPa  
 Nominal size: 10 mm to 200 mm  
 Applicable medium: L02, LN2, LAr, LNG, LC2H4, etc  
 Applicable temperature: 196 ~ + 80 °C  
 Connection mode: flange  
 Under the medium flow direction: the disc for high



主要外形和连接尺寸 Main external and connection dimension

产品代号	通径 DN (mm)	主要连接尺寸 Main connecting dimensions										重量 (kg)
		A	H1	H2	D	D1	D2	Z-Φd	b	f	Do	
222J10AB2A3	10	130	253	247	90	60	40	4-14	16	2	75	3.2
222J15AB2A3	15	130	268	260	95	65	45	4-14	16	2	75	3.8
222J20AB2A3	20	150	307	297	105	75	55	4-14	16	2	100	5.5
222J25AB2A3	25	160	323	310	115	85	65	4-14	16	2	100	5.9
222J32AB2A3	32	180	362	346	135	100	78	4-18	18	2	120	7.1
222J40AB2A3	40	200	380	360	145	110	85	4-18	18	2	120	11.2
222J50AB2A3	50	230	445	420	160	125	100	4-18	20	3	160	17.5
222J65AB2A3	65	290	473	440	180	145	120	8-18	20	3	200	18.4
222J80AB2A3	80	310	510	470	195	160	135	8-18	22	3	240	30.1
222J100AB2A3	100	350	589	539	215	180	155	8-18	22	3	280	40.2
222J125AB2A3	125	400	665	602	245	210	185	8-18	24	3	300	53.9
222J150AB2A3	150	480	713	638	280	240	210	8-23	26	3	350	68.3
222J200AB2A3	200	600	805	705	375	295	265	12-23	30	3	400	134.2
222J250AB2A3	250	650	985	860	405	355	320	12-25	32	3	550	248.7
222J300AB2A3	300	750	1080	930	460	410	370	12-25	34	4	650	334.5

# EA-VALVE

## 集生产、研发、销售、服务 于一体阀门制造企业

Set production, research and development,  
sales and service in one valve manufacturing enterprise

产品选型手册  
Product selection manual