

FORGED STEEL
VALVE SERIES
锻钢阀系列

06

当您询问或订购我们的阀门时不必详细了解我们的阀门订货编号系统。只要您能提供了您所选阀门的充分描述，我们的销售部门就可以将其编译成相应的阀门订货号。所选阀门的充分描述应该是从阀门类型开始的，接着就是阀门口径、压力等级、两端连接形式、密封面材或根据API 602所规定的内件号等。下面是我们给出的一个例子，目的是想用图示的方法来说明一个典型的阀门订货号，但如果需要详细地说明，请向我们咨询。

When you ask or order our valves do not have to learn more about our valves order numbering system. As long as you can provide your full description of the selected valve, our sales department can be made up Translated into the corresponding valve order number. The selected valve fully described should be started from the valve type, then there is the valve diameter, pressure level, form of connection on both ends, sealing surface material or according to API 602 Regulation of internal parts and so on. Below is we give an example, the purpose is to want to use the method of graphic to illustrate a typical valve order number, but if you need to elaborate, please consult us.

| F | | P | | 3 | | Y | | 2" | 15 | L | | Y | | V | | | |
|-------------------|---------------|---|---------------|--------------------------------|---|---------------------------------|---|----------------------|-------------------------|-----------------------|-----------------------------------|------------------------------|-------------------|------------------------|-------------|---------|----------|
| 通径形式 Port type | | 阀体与阀盖连接形式 Body and bonnet connection | | 末端连接形式 End connection | | 设计结构特点 Design feaature | | 口径 Size | 压力等级 Pressure rating | 阀门类型 Type of valve | | 密封 (阀瓣/阀座) Seal disc/seat | | 阀门材质 Body materials | | | |
| 缩径 Reduced | 默认 Default | 体、盖 螺栓链接 Bolt and bonnet screwed | 默认 Default | 凸面法兰 Convex flange | 1 | "Y"型阀门 "Y" type valves | Y | 3/8" | Class150 | 1 | 闸阀 Gate valves | G | 13Cr/13Cr | H | A105 | C | |
| 全通径 Full bore | F | | | 环连接 Ring connection surface | 2 | 低温阀门 Cryogenic valves | D | 3/4" | Class300 | 3 | 升降式上回阀 Lift check valves | C | STL/STL | Y | A350LF2 | E | |
| | | | | 对接焊 Butt welded | 3 | 波纹管阀门 Bellows valves | W | 1/2" | Class600 | 6 | 球形止回阀 Ball check valves | B | 13Cr/STL | HY | A182F11 | F | |
| | | | | 承接管 Socket welding | 4 | 阀体延长端阀门 Body extended valves | E | 1" | Class800 | 8 | 截止阀 Globe valves | L | 304/304 | S | A182F22 | V | |
| | | | | 压力自紧式 Pressure seal | P | 螺纹连接 Screw | 5 | 保温阀 Jacket valves | B | 1/2" | Class1500 | 15 | 球阀 Ball valves | Q | Monel/Monel | M | A182F304 |
| | | | | | | | | 2" | Class2500 | 25 | 线性调节阀 Linear regulating valves | T | 尼龙Inconel | I | A182F316 | R | |
| | | | | | | | | | | | 过滤器 strainer | R | Nylon | N | A182F316L | L | |
| | | | | | | | | | | | | PTFE | F | Monel | M | A182F91 | Z |
| | | | | | | | | | | | | Hastelloy | HC | Hastelloy | H | A182F51 | B |
| | | | | | | | | | | | | | | 20合金Alloy | N | | |



典型零件材料表 Main part materials list

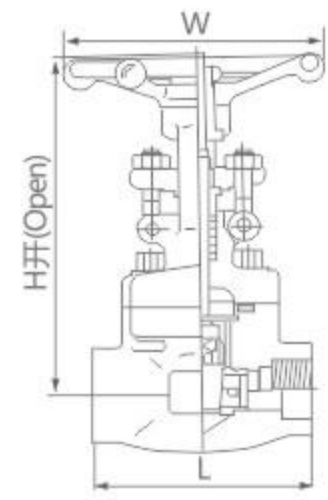
| 零件名称 Part name | A105/F6a | A105/F6aHFS | LF2/304 | F11/F6aHT | F304(L)/304(L) | F316(L)/316(L) | F51/F51 |
|-------------------|-------------------------------|-------------------------------|-------------------------------|-------------------------------|-------------------------------|-------------------------------|-------------------------------|
| 阀体Body | A105 | A105+HF | LF2 | F11+HF | F304 | F316 | F51 |
| 阀瓣Disc | F6a | F6a | F304 | F6aHF | F304(L) | F216(L) | F51 |
| 阀杆Stem | 410 | 410 | 304 | 410 | 304(L) | 316(L) | F51 |
| 垫片Gasket | 304+柔性石墨 Flexible graphite | 304+柔性石墨 Flexible graphite | 304+柔性石墨 Flexible graphite | 304+柔性石墨 Flexible graphite | 304+柔性石墨 Flexible graphite | 304+柔性石墨 Flexible graphite | 304+柔性石墨 Flexible graphite |
| 阀盖Bonnet | A105 | A105 | LF2 | F11 | F304(L) | F316(L) | F51 |
| 螺栓Bolt | B7 | B7 | L7 | B16 | B8(M) | B8(M) | B8M |
| 销轴Pin | 410 | 410 | 410 | 410 | 304 | 304 | 304 |
| 填料压套Gland | 410 | 410 | 304 | 410 | 304 | 316 | F51 |
| 活节螺栓Gland Eyebolt | B7 | B7 | L7 | B16 | B8(M) | B8(M) | B8M |
| 填料压盖Gland Flange | A105 | A105 | LF2 | F304 | F304(L) | F316(L) | F304 |
| 六角螺母Hex Nut | 2H | 2H | 7 | 7 | 8(M) | 8(M) | 8M |
| 阀杆螺母Stem Nut | 410 | 410 | 410 | 410 | 410 | 410 | 410 |
| 缩紧螺母Locking Nut | 35 | 35 | 35 | 35 | 35 | 35 | 35 |
| 铭牌Nameplate | AL | AL | AL | AL | AL | AL | AL |
| 手轮 Handwheel | A197 | A197 | A197 | A197 | A197 | A197 | A197 |
| 填料 Packing | 石墨 Graphite | 石墨 Graphite | 石墨 Graphite | 石墨 Graphite | 石墨 Graphite | 石墨 Graphite | 石墨 Graphite |

INTERNAL THREAD AND SOCKET WELDED GATE VALVE

内螺纹与承插焊闸阀

INTERNAL THREAD AND SOCKET WELDED GATE VALVE

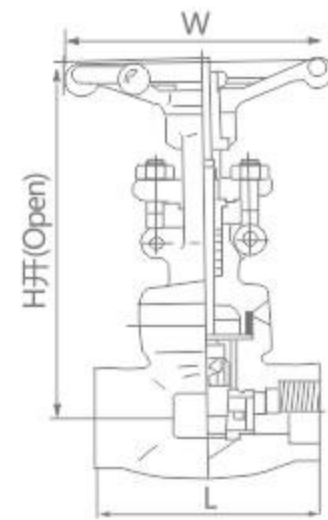
内螺纹与承插焊闸阀



CL800

| 规格(NPS) Specification | R.P | - | 1/2 | 3/4 | 1 | 1 1/4 | 1 1/2 | 2 | 2 1/2 | 3 |
|--------------------------------|-----|------|------|------|------|-------|-------|-------|-------|-------|
| | F.P | 1/4 | 3/8 | 1/2 | 3/4 | 1 | 1 1/4 | 1 1/2 | 2 | 2 1/2 |
| 结构长度(mm)Face to face | L | 79 | 79 | 92 | 111 | 120 | 120 | 140 | 178 | 180 |
| 手轮直径(mm) Handwheel diameter | W | 100 | 100 | 100 | 125 | 160 | 160 | 180 | 200 | 220 |
| 中心高度(开)(mm)Height | H | 161 | 161 | 163 | 196 | 223 | 251 | 290 | 333 | 370 |
| 流道孔径(mm)Flow port dimension | d | 8 | 10.5 | 13.5 | 18 | 24 | 29 | 36.5 | 45 | 51 |
| 重量(Kg)Weight | | 2.22 | 2.3 | 4.24 | 4.24 | 5.7 | 7.05 | 10.9 | 16.3 | 24 |

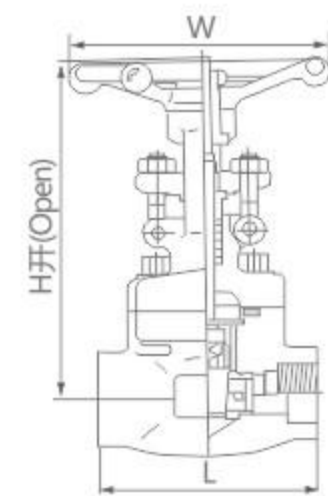
焊接连接阀盖, 缩径和全径, 明杆支架 (OS&Y), 末端连接为螺纹或承插焊或对焊, 设计按APL602
Bolted bonnet, full port reducing port outside screw and yoke(OS&Y)
Threaded, butt-welded or socket welded ends; desing to APL602



CL800

| 规格(NPS) Specification | R.P | - | 1/2 | 3/4 | 1 | 1 1/4 | 1 1/2 | 2 | 2 1/2 | 3 |
|--------------------------------|-----|-----|------|------|-----|-------|-------|-------|-------|-------|
| | F.P | 1/4 | 3/8 | 1/2 | 3/4 | 1 | 1 1/4 | 1 1/2 | 2 | 2 1/2 |
| 结构长度(mm)Face to face | L | 79 | 79 | 92 | 111 | 120 | 120 | 140 | 178 | 180 |
| 手轮直径(mm) Handwheel diameter | W | 100 | 100 | 100 | 125 | 160 | 160 | 180 | 200 | 220 |
| 中心高度(开)(mm)Height | H | 161 | 161 | 163 | 196 | 223 | 251 | 290 | 333 | 370 |
| 流道孔径(mm)Flow port dimension | d | 8 | 10.5 | 13.5 | 18 | 24 | 29 | 36.5 | 45 | 51 |
| 重量(Kg)Weight | | 1.9 | 1.9 | 2.1 | 3.2 | 5.2 | 6.9 | 10.4 | 15.8 | 22 |

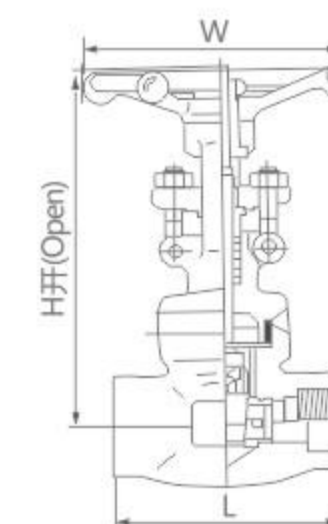
焊接连接阀盖, 缩径和全径, 明杆支架 (OS&Y), 末端连接为螺纹或承插焊或对焊, 设计按APL602
Bolted bonnet, full port reducing port outside screw and yoke(OS&Y)
Threaded, butt-welded or socket welded ends; desing to APL602



CL900-CL1500

| 规格(NPS) Specification | R.P | - | 1/2 | 3/4 | 1 | 1 1/4 | 1 1/2 | 2 | 2 1/2 | 3 |
|--------------------------------|-----|-----|------|------|-----|-------|-------|-------|-------|-------|
| | F.P | 1/4 | 3/8 | 1/2 | 3/4 | 1 | 1 1/4 | 1 1/2 | 2 | 2 1/2 |
| 结构长度(mm)Face to face | L | 92 | 111 | 111 | 120 | 120 | 140 | 178 | 180 | - |
| 手轮直径(mm) Handwheel diameter | W | 100 | 125 | 125 | 160 | 160 | 180 | 200 | 220 | - |
| 中心高度(开)(mm)Height | H | 191 | 191 | 192 | 219 | 243 | 296 | 316 | 370 | - |
| 流道孔径(mm)Flow port dimension | d | 8 | 10.5 | 13.5 | 18 | 24 | 29 | 36.5 | 45 | - |
| 重量(Kg)Weight | | 2.4 | 4.3 | 4.4 | 6 | 7.2 | 11.4 | 16 | 23 | - |

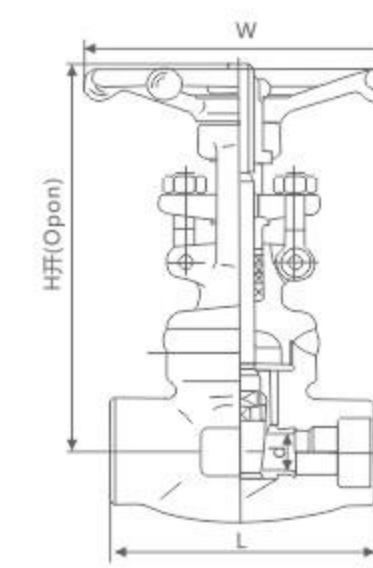
焊接连接阀盖, 缩径和全径, 明杆支架 (OS&Y), 末端连接为螺纹或承插焊或对焊, 设计按APL602
Bolted bonnet, full port reducing port outside screw and yoke(OS&Y)
Threaded, butt-welded or socket welded ends; desing to APL602



CL900-CL1500

| 规格(NPS) Specification | R.P | - | 1/2 | 3/4 | 1 | 1 1/4 | 1 1/2 | 2 | 2 1/2 | 3 |
|--------------------------------|-----|-----|------|------|-----|-------|-------|-------|-------|-------|
| | F.P | 1/4 | 3/8 | 1/2 | 3/4 | 1 | 1 1/4 | 1 1/2 | 2 | 2 1/2 |
| 结构长度(mm)Face to face | L | 92 | 111 | 111 | 120 | 120 | 140 | 178 | 180 | - |
| 手轮直径(mm) Handwheel diameter | W | 100 | 125 | 125 | 160 | 160 | 180 | 200 | 220 | - |
| 中心高度(开)(mm)Height | H | 191 | 191 | 192 | 219 | 243 | 296 | 316 | 370 | - |
| 流道孔径(mm)Flow port dimension | d | 8 | 10.5 | 13.5 | 18 | 24 | 29 | 36.5 | 45 | - |
| 重量(Kg)Weight | | 2.3 | 4 | 4 | 4.8 | 7.1 | 11 | 16 | 22.8 | - |

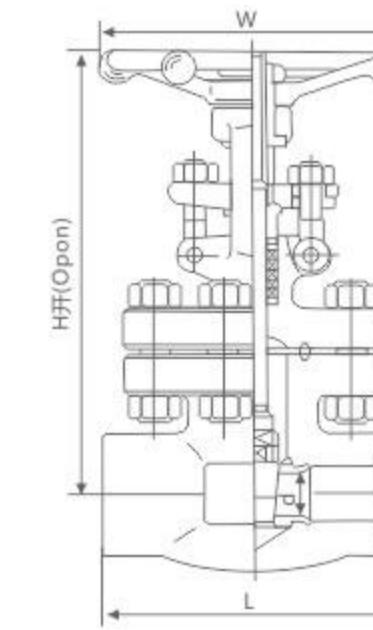
焊接连接阀盖, 缩径和全径, 明杆支架 (OS&Y), 末端连接为螺纹或承插焊或对焊, 设计按APL602
Bolted bonnet, full port reducing port outside screw and yoke(OS&Y)
Threaded, butt-welded or socket welded ends; desing to APL602



CL2500

| 规格(NPS) Specification | | 1/4 | 3/8 | 1/2 | 3/4 | 1 | 1 1/4 | 2 | |
|--------------------------------|---|-----|-----|-----|-----|------|-------|---|--|
| 结构长度(mm)Face to face | L | | 111 | 120 | 120 | 120 | 140 | | |
| 手轮直径(mm) Handwheel diameter | W | | 125 | 160 | 160 | 180 | 220 | | |
| 中心高度(开)(mm)Height | H | | 215 | 218 | 220 | 238 | 281 | | |
| 流道孔径(mm)Flow port dimension | d | | 14 | 14 | 14 | 19 | 25 | | |
| 重量(Kg)Weight | | | 7 | 8.5 | 8.7 | 11.7 | 17 | | |

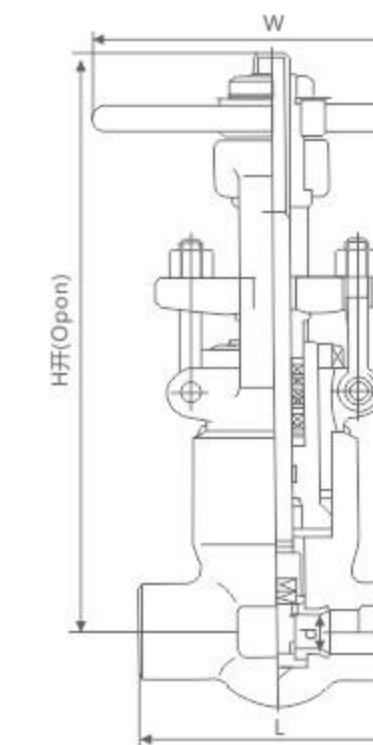
焊接连接阀盖, 全径, 明杆支架 (OS&Y), 末端连接为承插连接, 设计按ASME B16.34
Welded bonnet, full port outside screw and yoke(OS&Y)
Socket welded ends, design conform to ASME B16.34



CL1500-CL2500

| 规格(NPS) Specification | F.P | | 1/2 | 3/4 | 1 | 1 1/4 | 1/2 | 2 | 2 1/2 |
|---------------------------------|-----|--------|-----|------|------|-------|-----|-----|-------|
| 结构长度(mm)Face to face | L | CL1500 | 110 | 150 | 150 | | 210 | 235 | |
| | | CL2500 | 150 | 150 | 210 | | 235 | 235 | |
| 手轮直径(mm) Handwheel diameter | W | CL1500 | 110 | 130 | 130 | | 180 | 250 | |
| | | CL2500 | 130 | 130 | 250 | | 300 | 300 | |
| 中心高度(开)(mm)Height | H | CL1500 | 277 | 300 | 390 | | 400 | 435 | |
| | | CL2500 | 293 | 300 | 390 | | 435 | 435 | |
| 流道孔径(mm) Flow port dimension | d | CL1500 | 14 | 17 | 22 | | 35 | 37 | |
| | | CL2500 | 14 | 14 | 14 | | 25 | 30 | |
| 重量(Kg)Weight | | CL1500 | 5.1 | 11 | 12.1 | | 22 | 37 | |
| | | CL2500 | 11 | 11.3 | 22.4 | | 38 | 38 | |

焊接连接阀盖, 全径, 明杆支架 (OS&Y), 末端连接为承插连接, 设计按ASME B16.34
Welded bonnet, full port outside screw and yoke(OS&Y)
Socket welded ends, design conform to ASME B16.34



CL1500-CL2500

| 规格(NPS) Specification | F.P | | 1/2 | 3/4 | 1 | 1 1/4 | 1/2 | 2 | 2 1/2 |
|---------------------------------|-----|------------|------|------|------|-------|------|------|-------|
| 结构长度(mm) Face to face | L | CL900-1500 | 140 | 140 | 140 | 140 | 178 | 178 | 216 |
| | | CL2500 | 186 | 186 | 186 | 186 | 232 | 232 | 279 |
| 手轮直径(mm) Handwheel diameter | W | CL900-1500 | 200 | 200 | 200 | 200 | 280 | 280 | 300 |
| | | CL2500 | 200 | 200 | 200 | 200 | 280 | 280 | 300 |
| 中心高度(开)(mm)Height | H | CL900-1500 | 318 | 318 | 318 | 322 | 467 | 468 | 540 |
| | | CL2500 | 325 | 325 | 325 | 327 | 467 | 468 | 540 |
| 流道孔径(mm) Flow port dimension | d | CL900-1500 | 14 | 14 | 14 | 19 | 25 | 30 | 36.5 |
| | | CL2500 | 14 | 14 | 14 | 19 | 25 | 30 | 36.5 |
| 重量(Kg)Weight | | CL900-1500 | 11.5 | 11.5 | 10.8 | 10.5 | 19.6 | 21 | 55.4 |
| | | CL2500 | 10.8 | 11.6 | 12.3 | 12.3 | 26 | 28.4 | 60 |

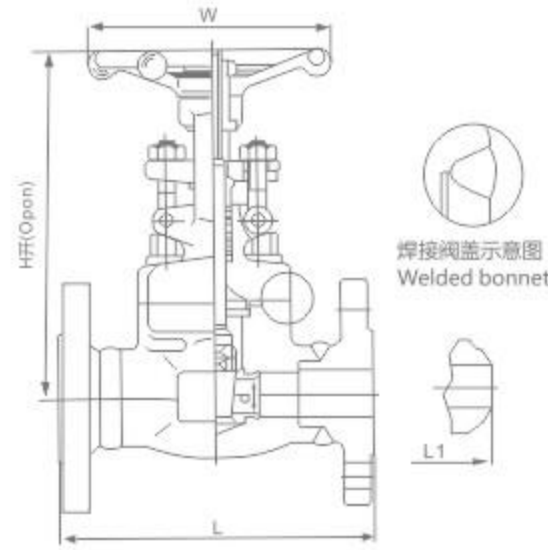
焊接连接阀盖, 全径, 明杆支架 (OS&Y), 末端连接为承插连接, 设计按ASME B16.34
Welded bonnet, full port outside screw and yoke(OS&Y)
Socket welded ends, design conform to ASME B16.34

FORGED STEEL FLANGE GATE VALVES

锻钢法兰闸阀

INTERNAL THREAD AND SOCKET WELD STOP VALVE

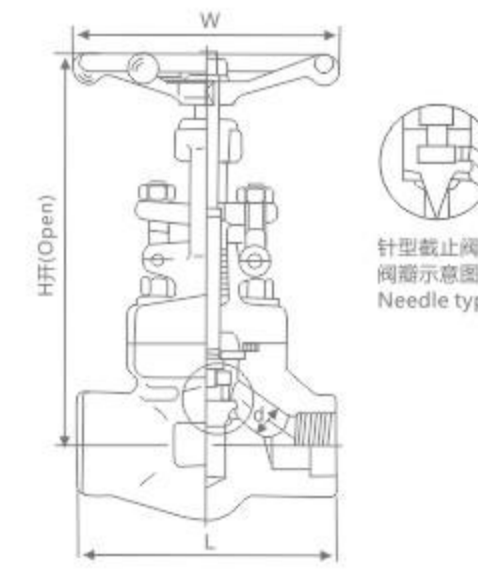
内螺纹与承插焊截止阀



CL150-300-600

| 规格(NPS) Specification | | | 1/4 | 3/8 | 1/2 | 3/4 | 1 | 1 1/4 | 1 1/2 | 2 | 2 1/2 |
|---------------------------------|-------------|-----------------|-----|-----|------|------|------|-------|-------|------|-------|
| 结构长度(mm) Face to face | CL150 | L(RF) L1(BW) | - | - | 108 | 117 | 127 | 140 | 165 | 178 | 190 |
| | CL300 | | - | - | 140 | 152 | 165 | 178 | 190 | 216 | 241 |
| | CL600 | | - | - | 165 | 190 | 216 | 229 | 241 | 292 | 330 |
| 手轮直径(mm) Handwheel diameter | | W | - | - | 100 | 100 | 125 | 160 | 160 | 180 | 200 |
| 中心高度(开)(mm) Height | CL150/CL300 | H | - | - | 176 | 184 | 217 | 226 | 250 | 290 | 357 |
| | CL600 | | - | - | 161 | 163 | 196 | 226 | 250 | 290 | 357 |
| 流道孔径(mm) Flow port dimension | | d | - | - | 10 | 13.5 | 18 | 24 | 29 | 36.5 | 45 |
| 重量(Kg) Weight | CL150 | RF | - | - | 3.4 | 3.98 | 6.12 | 7.2 | 10.4 | 15.5 | 24.5 |
| | | BW | - | - | 2.8 | 3.3 | 5.4 | 6.5 | 8.2 | 12.5 | 20 |
| | CL300 | RF | - | - | 3.77 | 4.89 | 7.23 | 9.6 | 12.64 | 18 | 26.2 |
| | | BW | - | - | 3.5 | 4.4 | 6.8 | 8.1 | 9.2 | 15.4 | 22 |
| | CL600 | RF | - | - | 4.2 | 5.8 | 8.8 | 12.1 | 15.6 | 19.5 | 32 |
| | | BW | - | - | 4.5 | 5.1 | 8.2 | 10.5 | 12.4 | 20.1 | 28 |

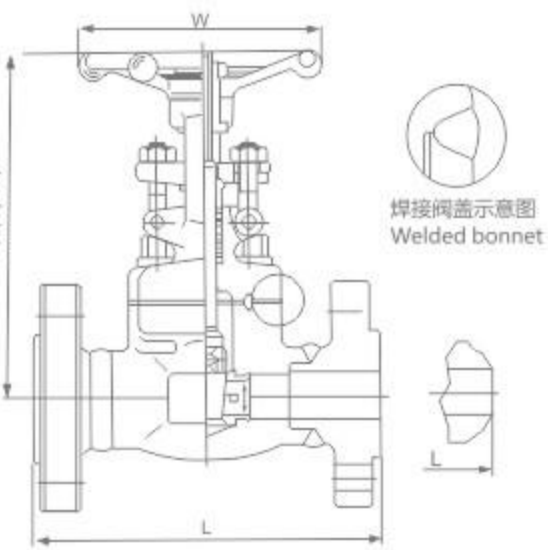
螺栓连接阀盖, 缩径和全径, 明杆支架 (OS&Y), 末端连接为法兰或对焊连接, 设计按API 602;BS5352
Bolted bonnet, full port reducing port outside screw and yoke(OS&Y)
Flange-welded or but-welded ends; design to API602;BS5352



CL800

| 规格(NPS) Specification | R P | | 1/2 | 3/4 | 1 | 1 1/4 | 1 1/2 | 2 | 2 1/2 | 3 |
|------------------------------|------|-----|------|------|------|-------|-------|-------|-------|-------|
| | F. P | 1/4 | 3/8 | 1/2 | 3/4 | 1 | 1 1/4 | 1 1/2 | 2 | 2 1/2 |
| 结构长度(mm) Face to face | L | 79 | 79 | 92 | 111 | 120 | 152 | 172 | 200 | - |
| 手轮直径(mm) Handwheel diameter | W | 100 | 100 | 100 | 125 | 160 | 160 | 180 | 200 | - |
| 中心高度(开)(mm) Height | H | 164 | 164 | 164 | 203 | 224 | 260 | 300 | 355 | - |
| 流道孔径(mm) Flow port dimension | d | 7 | 9 | 13 | 17.5 | 23 | 30 | 35 | 46 | - |
| 重量(Kg) Weight | | 1.9 | 2.28 | 2.37 | 4.3 | 5.75 | 7.8 | 12.5 | 17.5 | - |

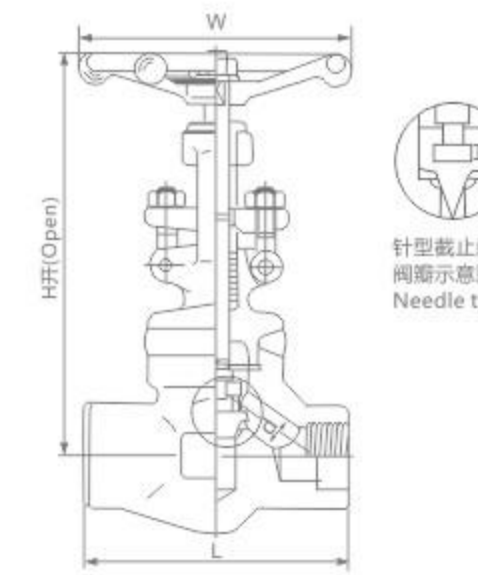
螺栓连接阀盖, 缩径和全径, 明杆支架 (OS&Y), 末端连接可按螺纹或承插焊, 设计按BS5352
Bolted bonnet, full port reducing port outside screw and yoke(OS&Y)
Threaded, butt-welded or socket welded ends; design to BS5352



CL900-CL1500

| 规格(NPS) Specification | | F. P | 1/4 | 3/8 | 1/2 | 3/4 | 1 | 1 1/4 | 1 1/2 | 2 |
|---------------------------------|-------------|------|-----|------|------|------|------|-------|-------|---|
| 结构长度(mm) Face to face | L(RF)L1(BW) | - | - | 216 | 229 | 254 | 279 | 305 | 368 | |
| | L(RTJ) | - | - | 216 | 229 | 254 | 279 | 305 | 371 | |
| 手轮直径(mm) Handwheel diameter | W | - | - | 125 | 125 | 160 | 180 | 200 | 220 | |
| 中心高度(开)(mm) Height | H | - | - | 191 | 192 | 219 | 257 | 296 | 316 | |
| 流道孔径(mm) Flow port dimension | d | - | - | 13.5 | 18 | 24 | 29 | 36.5 | 45 | |
| 重量(Kg) Weight | | - | - | 7.2 | 11.5 | 15.6 | 16.2 | 22.6 | 28.2 | |

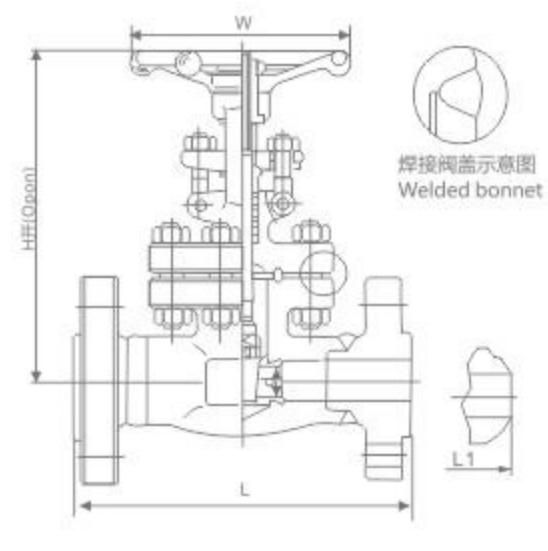
螺栓连接阀盖, 缩径和全径, 明杆支架 (OS&Y), 末端连接为法兰或对焊连接, 设计按API 602;BS5352
Bolted bonnet, full port reducing port outside screw and yoke(OS&Y)
Flange-welded or but-welded ends; design to API602;BS5352



CL800

| 规格(NPS) Specification | R P | | 1/2 | 3/4 | 1 | 1 1/4 | 1 1/2 | 2 | 2 1/2 | 3 |
|------------------------------|------|-----|-----|-----|------|-------|-------|-------|-------|-------|
| | F. P | 1/4 | 3/8 | 1/2 | 3/4 | 1 | 1 1/4 | 1 1/2 | 2 | 2 1/2 |
| 结构长度(mm) Face to face | L | 79 | 79 | 92 | 111 | 120 | 152 | 172 | 200 | - |
| 手轮直径(mm) Handwheel diameter | W | 100 | 100 | 100 | 125 | 160 | 160 | 180 | 200 | - |
| 中心高度(开)(mm) Height | H | 164 | 164 | 164 | 203 | 224 | 260 | 300 | 355 | - |
| 流道孔径(mm) Flow port dimension | d | 7 | 9 | 13 | 17.5 | 23 | 30 | 35 | 46 | - |
| 重量(Kg) Weight | | 1.7 | 1.7 | 1.9 | 3.3 | 5.2 | 6.8 | 10.6 | 13.8 | - |

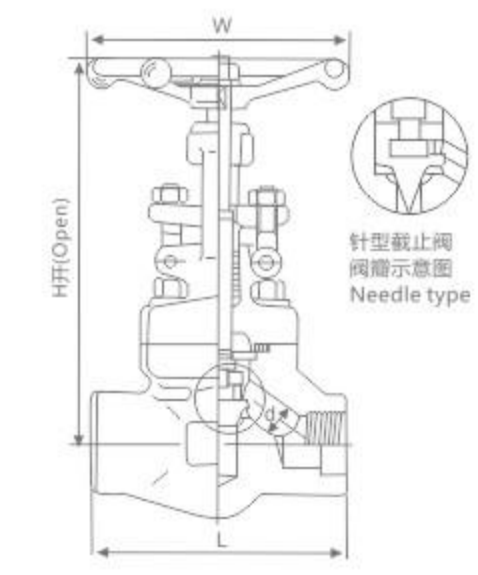
螺栓连接阀盖, 缩径和全径, 明杆支架 (OS&Y), 末端连接可按螺纹或承插焊, 设计按BS5352
Bolted bonnet, full port reducing port outside screw and yoke(OS&Y)
Threaded, butt-welded or socket welded ends; design to BS5352



CL2500

| 规格(NPS) Specification | | F. P | 1/4 | 3/8 | 1/2 | 3/4 | 1 | 1 1/4 | 1 1/2 | 2 |
|---------------------------------|-------------|------|-----|------|------|-----|---|-------|-------|---|
| 结构长度(mm) Face to face | L(RF)L1(BW) | - | - | 264 | 273 | 305 | - | 384 | 451 | |
| | L(RTJ) | - | - | 264 | 273 | 308 | - | 387 | 454 | |
| 手轮直径(mm) Handwheel diameter | W | - | - | 125 | 160 | 160 | - | 200 | 240 | |
| 中心高度(开)(mm) Height | H | - | - | 207 | 240 | 258 | - | 355 | 370 | |
| 流道孔径(mm) Flow port dimension | d | - | - | 13.5 | 13.5 | 19 | - | 20 | 36.5 | |
| 重量(Kg) Weight | | - | - | 19.5 | 21.5 | 42 | - | 65 | 95 | |

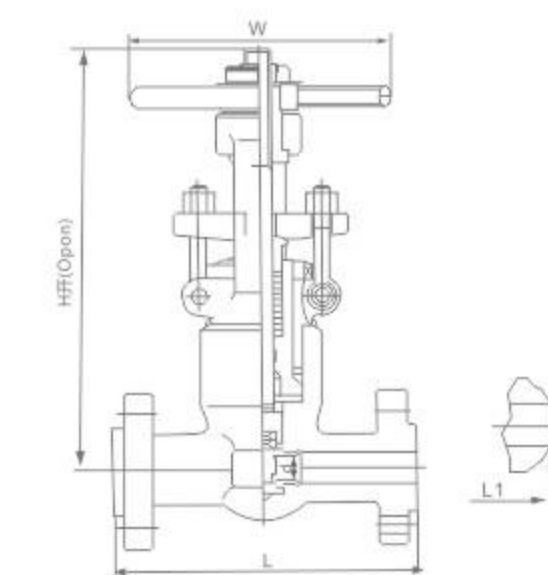
螺栓连接阀盖, 缩径和全径, 明杆支架 (OS&Y), 末端连接为法兰或对焊连接, 设计按API 602;BS5352
Bolted bonnet, full port reducing port outside screw and yoke(OS&Y)
Flange-welded or but-welded ends; design to API602;BS5352



CL900-CL1500

| 规格(NPS) Specification | R P | | 1/2 | 3/4 | 1 | 1 1/4 | 1 1/2 | 2 | 2 1/2 | 3 |
|------------------------------|------|-----|-----|-----|-----|-------|-------|-------|-------|-------|
| | F. P | 1/4 | 3/8 | 1/2 | 3/4 | 1 | 1 1/4 | 1 1/2 | 2 | 2 1/2 |
| 结构长度(mm) Face to face | L | 92 | 111 | 111 | 120 | 152 | 172 | 200 | 220 | |
| 手轮直径(mm) Handwheel diameter | W | 100 | 125 | 125 | 160 | 160 | 180 | 200 | 240 | |
| 中心高度(开)(mm) Height | H | 171 | 207 | 207 | 240 | 258 | 330 | 355 | 370 | |
| 流道孔径(mm) Flow port dimension | d | 7 | 12 | 15 | 20 | 28 | 32 | 40 | 45 | |
| 重量(Kg) Weight | | 2.3 | 3.6 | 3.7 | 6.8 | 7.6 | 11.6 | 15 | 21.9 | |

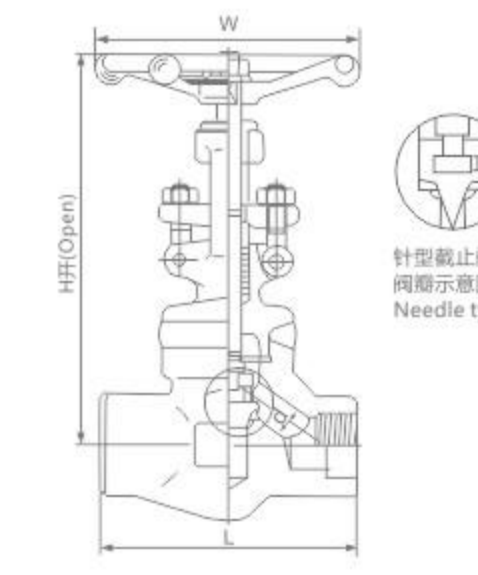
螺栓连接阀盖, 缩径和全径, 明杆支架 (OS&Y), 末端连接可按螺纹或承插焊, 设计按BS5352
Bolted bonnet, full port reducing port outside screw and yoke(OS&Y)
Threaded, butt-welded or socket welded ends; design to BS5352



CL2500

| 规格(NPS) Specification | | F. P | 1/4 | 3/8 | 1/2 | 3/4 | 1 | 1 1/4 | 1 1/2 | 2 |
|---------------------------------|-------------|------|-----|------|------|------|---|-------|-------|---|
| 结构长度(mm) Face to face | L(RF)L1(BW) | - | - | 264 | 273 | 308 | - | 384 | 451 | |
| | L(RTJ) | - | - | 264 | 273 | 308 | - | 387 | 454 | |
| 手轮直径(mm) Handwheel diameter | W | - | - | 200 | 200 | 200 | - | 280 | 300 | |
| 中心高度(开)(mm) Height | H | - | - | 325 | 325 | 327 | - | 478 | 540 | |
| 流道孔径(mm) Flow port dimension | d | - | - | 13.5 | 13.5 | 19 | - | 30 | 36.5 | |
| 重量(Kg) Weight | | - | - | 14.6 | 16.8 | 17.6 | - | 25 | 31.9 | |

螺栓连接阀盖, 缩径和全径, 明杆支架 (OS&Y), 末端连接为法兰或对焊连接, 设计按API 602;BS5352
Bolted bonnet, full port reducing port outside screw and yoke(OS&Y)
Flange-welded or but-welded ends; design to API602;BS5352



CL900-CL1500

| 规格(NPS) Specification | R P | | 1/2 | 3/4 | 1 | 1 1/4 | 1 1/2 | 2 | 2 1/2 | 3 |
|------------------------------|------|-----|-----|-----|-----|-------|-------|-------|-------|-------|
| | F. P | 1/4 | 3/8 | 1/2 | 3/4 | 1 | 1 1/4 | 1 1/2 | 2 | 2 1/2 |
| 结构长度(mm) Face to face | L | 92 | 111 | 111 | 120 | 152 | 172 | 200 | 220 | |
| 手轮直径(mm) Handwheel diameter | W | 100 | 125 | 125 | 160 | 160 | 180 | 200 | 240 | |
| 中心高度(开)(mm) Height | H | 171 | 207 | 207 | 240 | 258 | 330 | 355 | 370 | |
| 流道孔径(mm) Flow port dimension | d | | 12 | 15 | 20 | 28 | 32 | 40 | 45 | |
| 重量(Kg) Weight | | 2.2 | 3.3 | 3.4 | 5.6 | 6.0 | 10.3 | 14.2 | 18.0 | |

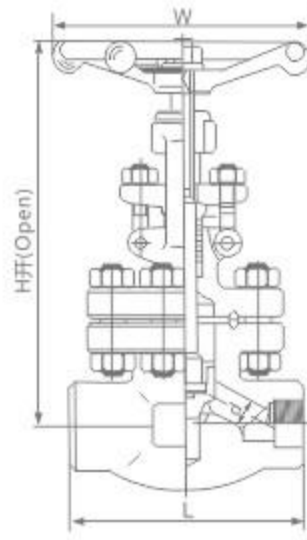
螺栓连接阀盖, 缩径和全径, 明杆支架 (OS&Y), 末端连接可按螺纹或承插焊, 设计按BS5352
Bolted bonnet, full port reducing port outside screw and yoke(OS&Y)
Threaded, butt-welded or socket welded ends; design to BS5352

INTERNAL THREAD AND SOCKET WELD STOP VALVE

内螺纹与承插焊截止阀

INTERNAL THREAD AND SOCKET WELD STOP VALVE

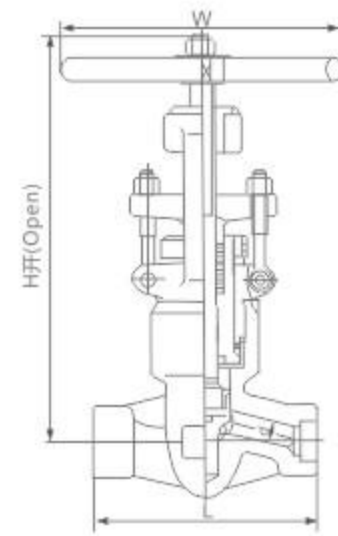
内螺纹与承插焊截止阀



CL900-CL1500

| 规格(NPS) Specification | F.P | 1/2 | 3/4 | 1 | 1 1/4 | 1 1/2 | 2 | 2 1/2 |
|-----------------------------|-----|-----|-----|-----|-------|-------|-----|-------|
| 结构长度(mm)Face to face | L | 110 | 110 | 150 | 150 | | 210 | 235 |
| 手轮直径(mm)Handwheel diameter | W | 110 | 110 | 130 | 180 | | 210 | 250 |
| 中心高度(开)(mm)Height | H | 227 | 227 | 300 | 307 | | 400 | 448 |
| 流道孔径(mm)Flow port dimension | d | 9 | 12 | 15 | 20 | | 32 | 40 |
| 重量(Kg)Weight | | 5 | 5 | 10 | 11.5 | | 22 | 37 |

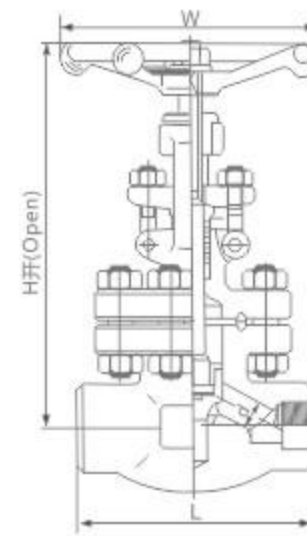
螺栓连接阀盖(RJ), 全径, 明杆支架 (OS&Y), 末端连接为螺纹或承插焊, 设计按BS5352
Bolted bonnet, full port outside screw and yoke(OS&Y)
Threaded, butt-welded or socket welded ends; design to BS5352



CL900-CL1500

| 规格(NPS) Specification | F.P | 1/2 | 3/4 | 1 | 1 1/4 | 1 1/2 | 2 | 2 1/2 |
|-----------------------------|-----|------|------|------|-------|-------|------|-------|
| 结构长度(mm)Face to face | L | 140 | 140 | 140 | 178 | 178 | 216 | |
| 手轮直径(mm)Handwheel diameter | W | 200 | 200 | 200 | 280 | 280 | 300 | |
| 中心高度(开)(mm)Height | H | 320 | 320 | 320 | 440 | 440 | 490 | |
| 流道孔径(mm)Flow port dimension | d | 12 | 15 | 20 | 28 | 32 | 40 | |
| 重量(Kg)Weight | | 10.8 | 10.5 | 11.5 | 19.6 | 21.1 | 55.4 | |

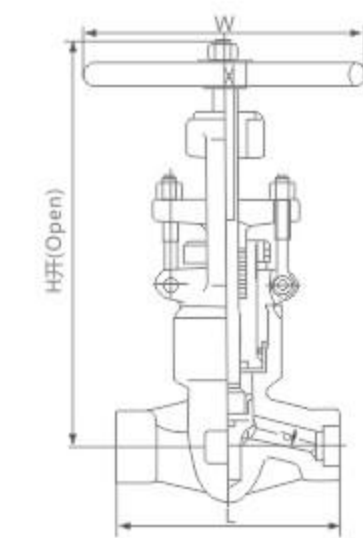
螺栓连接阀盖(RJ), 全径, 明杆支架 (OS&Y), 末端连接为螺纹或承插焊, 设计按BS5352
Bolted bonnet, full port outside screw and yoke(OS&Y)
Threaded, butt-welded or socket welded ends; design to BS5352



CL2500

| 规格(NPS) Specification | F.P | 1/2 | 3/4 | 1 | 1 1/4 | 1 1/2 | 2 | 2 1/2 |
|-----------------------------|-----|-----|------|------|-------|-------|-----|-------|
| 结构长度(mm)Face to face | L | 150 | 150 | 210 | | 235 | 235 | |
| 手轮直径(mm)Handwheel diameter | W | 130 | 130 | 250 | | 300 | 300 | |
| 中心高度(开)(mm)Height | H | 293 | 300 | 390 | | 435 | 435 | |
| 流道孔径(mm)Flow port dimension | d | 11 | 17 | 19 | | 28 | 35 | |
| 重量(Kg)Weight | | 10 | 10.3 | 22.4 | | 38 | 38 | |

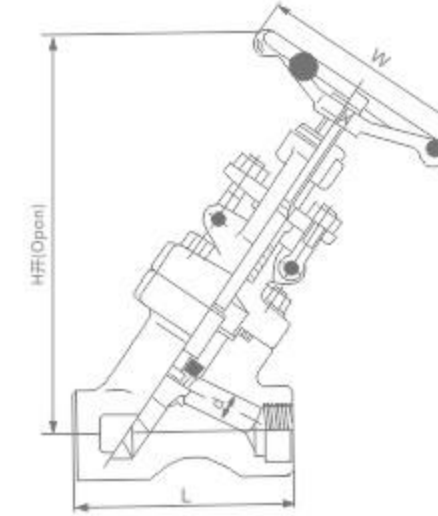
螺栓连接阀盖(RJ), 全径, 明杆支架 (OS&Y), 末端连接为承插焊, 设计按ASME B16.34
Bolted bonnet, full port outside screw and yoke(OS&Y)
Socket welded ends; design conform to ASME B16.34



CL2500

| 规格(NPS) Specification | F.P | 1/2 | 3/4 | 1 | 1 1/4 | 1 1/2 | 2 | 2 1/2 |
|-----------------------------|-----|------|------|------|-------|-------|-----|-------|
| 结构长度(mm)Face to face | L | 186 | 186 | 186 | 232 | 232 | 279 | |
| 手轮直径(mm)Handwheel diameter | W | 200 | 200 | 200 | 280 | 280 | 300 | |
| 中心高度(开)(mm)Height | H | 375 | 378 | 380 | 490 | 490 | 540 | |
| 流道孔径(mm)Flow port dimension | d | 11 | 14 | 19 | 25 | 28 | 35 | |
| 重量(Kg)Weight | | 10.8 | 11.6 | 12.3 | 26.0 | 28.4 | 60 | |

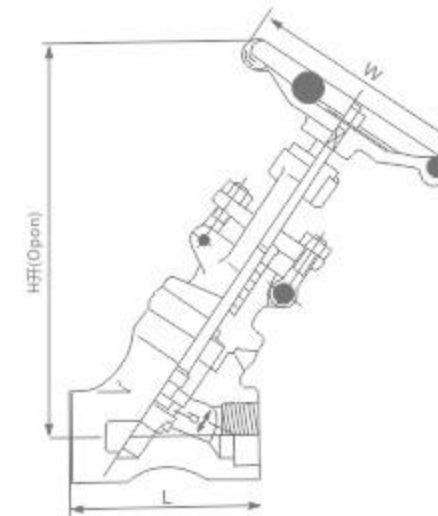
螺栓连接阀盖(RJ), 全径, 明杆支架 (OS&Y), 末端连接为承插焊, 设计按ASME B16.34
Bolted bonnet, full port outside screw and yoke(OS&Y)
Socket welded ends; design conform to ASME B16.34



CL800

| 规格(NPS) Specification | R.P | 1/2 | 3/4 | 1 | 1 1/4 | 1 1/2 | 2 | 2 1/2 | 3 | |
|-----------------------------|-----|-----|-----|-----|-------|-------|-------|-------|------|-------|
| | F.P | 1/4 | 3/8 | 1/2 | 3/4 | 1 | 1 1/4 | 1 1/2 | 2 | 2 1/2 |
| 结构长度(mm)Face to face | L | 98 | 98 | 98 | 111 | 140 | 140 | 155 | 170 | |
| 手轮直径(mm)Handwheel diameter | W | 100 | 100 | 100 | 125 | 160 | 160 | 180 | 200 | |
| 中心高度(开)(mm)Height | H | 180 | 180 | 180 | 188 | 280 | 280 | 295 | 350 | |
| 流道孔径(mm)Flow port dimension | d | 7 | 9 | 13 | 17.5 | 23 | 30 | 35 | 46 | |
| 重量(Kg)Weight | | 2.6 | 2.6 | 3.8 | 4.5 | 9.3 | 9.3 | 14 | 19.6 | |

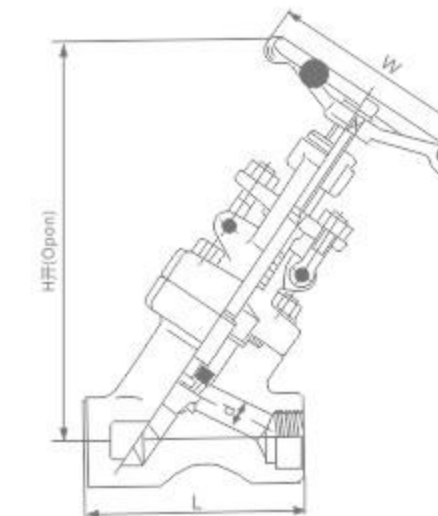
螺栓连接阀盖, 缩径和全径, 明杆支架 (OS&Y), 末端连接可按螺纹或承插焊, 设计按BS5352
Bolted bonnet, full port reducing port outside screw and yoke(OS&Y)
Threaded, butt-welded or socket welded ends; design to BS5352



CL800

| 规格(NPS) Specification | R.P | 1/2 | 3/4 | 1 | 1 1/4 | 1 1/2 | 2 | 2 1/2 | 3 | |
|-----------------------------|-----|-----|-----|-----|-------|-------|-------|-------|-----|-------|
| | F.P | 1/4 | 3/8 | 1/2 | 3/4 | 1 | 1 1/4 | 1 1/2 | 2 | 2 1/2 |
| 结构长度(mm)Face to face | L | 79 | 79 | 92 | 100 | 140 | 140 | 155 | 170 | |
| 手轮直径(mm)Handwheel diameter | W | 100 | 100 | 100 | 125 | 160 | 160 | 180 | 200 | |
| 中心高度(开)(mm)Height | H | 198 | 198 | 198 | 207 | 280 | 280 | 295 | 350 | |
| 流道孔径(mm)Flow port dimension | d | 7 | 9 | 13 | 17.5 | 23 | 30 | 35 | 46 | |
| 重量(Kg)Weight | | 1.8 | 1.8 | 2.0 | 3.5 | 8.0 | 8.0 | 12 | 16 | |

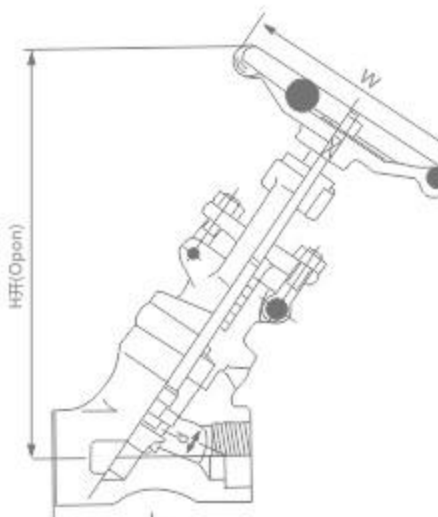
螺栓连接阀盖, 缩径和全径, 明杆支架 (OS&Y), 末端连接可按螺纹或承插焊, 设计按BS5352
Bolted bonnet, full port reducing port outside screw and yoke(OS&Y)
Threaded, butt-welded or socket welded ends; design to BS5352



CL900-CL1500

| 规格(NPS) Specification | F.P | 3/8 | 1/2 | 3/4 | 1 | 1 1/4 | 1 1/2 | 2 | 2 1/2 |
|-----------------------------|-----|-----|-----|-----|-----|-------|-------|------|-------|
| 结构长度(mm)Face to face | L | 98 | 111 | 111 | 140 | 140 | 155 | 170 | |
| 手轮直径(mm)Handwheel diameter | W | 100 | 125 | 125 | 160 | 160 | 180 | 200 | |
| 中心高度(开)(mm)Height | H | 175 | 175 | 215 | 215 | 254 | 305 | 305 | |
| 流道孔径(mm)Flow port dimension | d | 9 | 12 | 15 | 20 | 28 | 32 | 40 | |
| 重量(Kg)Weight | | 2.6 | 4.6 | 4.6 | 9.3 | 9.3 | 14 | 19.6 | |

螺栓连接阀盖, 缩径和全径, 明杆支架 (OS&Y), 末端连接可按螺纹或承插焊, 设计按BS5352
Bolted bonnet, full port reducing port outside screw and yoke(OS&Y)
Threaded, butt-welded or socket welded ends; design to BS5352



CL900-CL1500

| 规格(NPS) Specification | F.P | 3/8 | 1/2 | 3/4 | 1 | 1 1/4 | 1 1/2 | 2 | 2 1/2 |
|-----------------------------|-----|-----|-----|-----|-----|-------|-------|-----|-------|
| 结构长度(mm)Face to face | L | 92 | 100 | 100 | 140 | 140 | 155 | 170 | |
| 手轮直径(mm)Handwheel diameter | W | 100 | 125 | 125 | 160 | 160 | 180 | 200 | |
| 中心高度(开)(mm)Height | H | 175 | 207 | 207 | 280 | 280 | 295 | 350 | |
| 流道孔径(mm)Flow port dimension | d | 9 | 12 | 15 | 20 | 28 | 32 | 40 | |
| 重量(Kg)Weight | | 1.8 | 3.5 | 3.5 | 8.0 | 8.0 | 12 | 16 | |

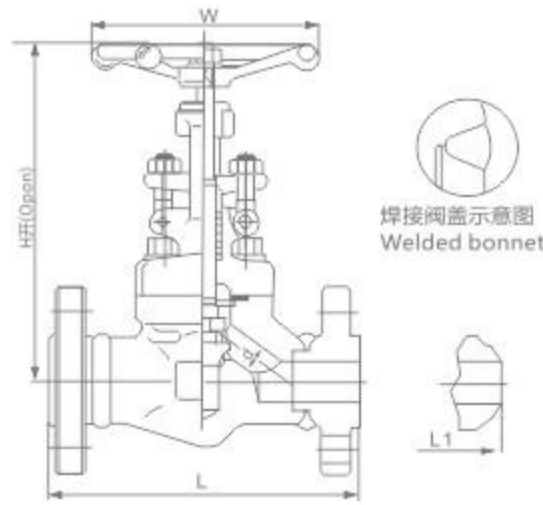
螺栓连接阀盖, 缩径和全径, 明杆支架 (OS&Y), 末端连接可按螺纹或承插焊, 设计按BS5352
Bolted bonnet, full port reducing port outside screw and yoke(OS&Y)
Threaded, butt-welded or socket welded ends; design to BS5352

FLANGE AND BUTT-WELDED GLOBE VALVE

法兰与对焊截止阀

FEMALE THREAD AND SOCKET WELDED CHECK VALVE

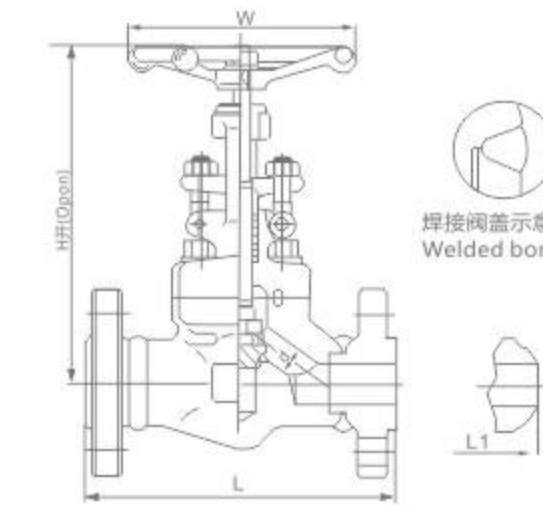
内螺纹与承插焊止回阀



CL150-300-600

| 规格(NPS) Specification | | | 1/4 | 3/8 | 1/2 | 3/4 | 1 | 1 1/4 | 1 1/2 | 2 |
|---------------------------------|-------------|--------|-----|-----|------|-----|------|-------|-------|------|
| 结构长度(mm) Face to face | CL150 | L(RF) | - | - | 108 | 117 | 127 | 140 | 165 | 203 |
| | CL300 | L1(BW) | - | - | 152 | 178 | 203 | 216 | 229 | 267 |
| | CL600 | | - | - | 165 | 190 | 216 | 229 | 241 | 292 |
| 手轮直径(mm) Handwheel diameter | W | | - | - | 100 | 100 | 125 | 160 | 160 | 180 |
| 中心高度(开) (mm)Height | CL150/CL300 | H | - | - | 180 | 184 | 217 | 224 | 260 | 300 |
| | CL600 | | - | - | 164 | 164 | 203 | 224 | 260 | 300 |
| 流道孔径(mm) Flow port dimension | d | | - | - | 9 | 13 | 17.5 | 23 | 30 | 35 |
| 重量(Kg) Weight | CL150 | RF | - | - | 3.45 | 4.0 | 6.19 | 9.6 | 10.5 | 17 |
| | | BW | - | - | 2.3 | 3.6 | 7.8 | 8.2 | 12.0 | 15.0 |
| | CL300 | RF | - | - | 3.8 | 5.1 | 7.2 | 12 | 13.5 | 19.7 |
| | | BW | - | - | 2.8 | 4.0 | 8.5 | 9.2 | 12.6 | 16.8 |
| | CL600 | RF | - | - | 5.6 | 7.8 | 12.5 | 17 | 23.5 | 38.8 |
| | | BW | - | - | 3.4 | 4.7 | 9.2 | 10.5 | 13.3 | 18.9 |

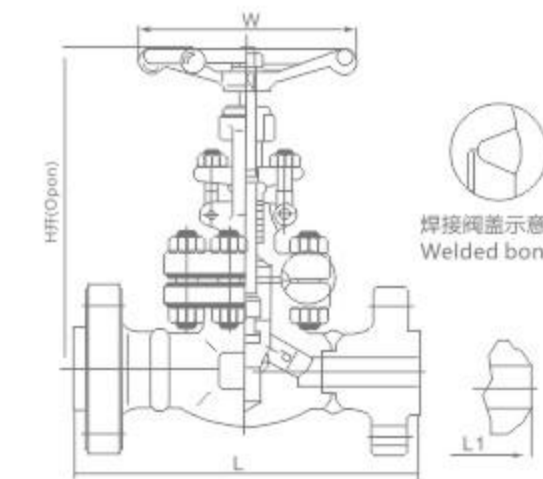
注：如需法兰和阀体一体式锻造的请与TIANBANG销售人员联系。
Flange integrity Forged Steel Valve Enquiry Please Contact Sales Department.
螺栓连接阀盖，全径，明杆支架 (OS&Y)，末端连接为焊接法兰或对焊连接，设计按 BS5352
Welded bonnet, full port outside screw and yoke(OS&Y), Flange-welded or but-welded ends; design to BS5352



CL900-CL1500

| 规格(NPS) Specification | | F.P | 1/4 | 3/8 | 1/2 | 3/4 | 1 | 1 1/4 | 1 1/2 | 2 |
|---------------------------------|-------------|-----|-----|-----|-----|------|------|-------|-------|-----|
| 结构长度(mm) Face to face | L(RF)L1(BW) | | - | - | 216 | 229 | 254 | 279 | 305 | 368 |
| | L(RTJ) | | - | - | 216 | 229 | 254 | 279 | 305 | 371 |
| 手轮直径(mm) Handwheel diameter | W | | - | - | 125 | 125 | 160 | 160 | 180 | 200 |
| 中心高度(开) (mm)Height | H | | - | - | 207 | 207 | 230 | 160 | 300 | 355 |
| 流道孔径(mm) Flow port dimension | d | | - | - | 12 | 15 | 20 | 28 | 32 | 40 |
| 重量(Kg) Weight | | | - | - | 11 | 13.2 | 17.4 | 19 | 24.5 | 31 |

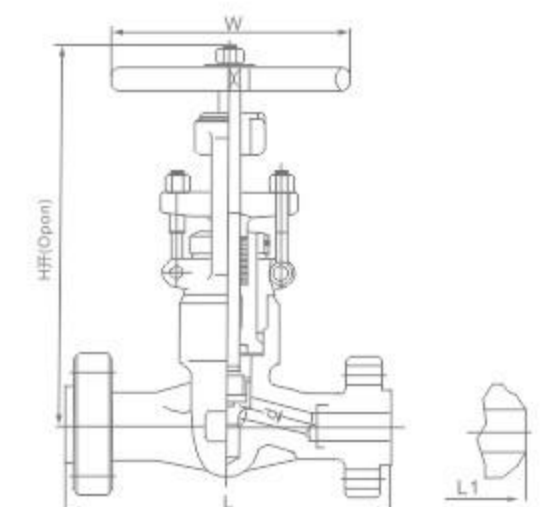
注：如需法兰和阀体一体式锻造的请与TIANBANG销售人员联系。
Flange integrity Forged Steel Valve Enquiry Please Contact Sales Department.
螺栓连接阀盖，全径，明杆支架 (OS&Y)，末端连接为焊接法兰或对焊连接，设计按 BS5352
Welded bonnet, full port outside screw and yoke(OS&Y), Flange-welded or but-welded ends; design to BS5352



CL2500

| 规格(NPS) Specification | | F.P | 1/4 | 3/8 | 1/2 | 3/4 | 1 | 1 1/4 | 1 1/2 | 2 |
|---------------------------------|-------------|-----|-----|-----|------|------|-----|-------|-------|-----|
| 结构长度(mm) Face to face | L(RF)L1(BW) | | - | - | 264 | 273 | 308 | - | 384 | 451 |
| | L(RTJ) | | - | - | 264 | 273 | 308 | - | 387 | 454 |
| 手轮直径(mm) Handwheel diameter | W | | - | - | 125 | 160 | 200 | - | 250 | 240 |
| 中心高度(开) (mm)Height | H | | - | - | 207 | 240 | 258 | - | 355 | 300 |
| 流道孔径(mm) Flow port dimension | d | | - | - | 11 | 14 | 19 | - | 28 | 35 |
| 重量(Kg) Weight | | | - | - | 19.5 | 21.5 | 42 | - | 65 | 95 |

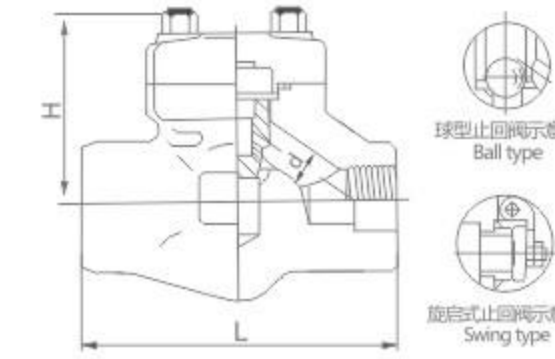
螺栓连接阀盖 (RJ)，全径，明杆支架 (OS&Y)，末端连接为焊接法兰或对焊连接，设计按 ASME B16.34
Welded bonnet, full port outside screw and yoke(OS&Y), Flange-welded or but-welded ends; design to ASME B16.34



CL2500

| 规格(NPS) Specification | | F.P | 1/4 | 3/8 | 1/2 | 3/4 | 1 | 1 1/4 | 1 1/2 | 2 |
|---------------------------------|-------------|-----|-----|-----|------|------|------|-------|-------|-----|
| 结构长度(mm) Face to face | L(RF)L1(BW) | | - | - | 264 | 273 | 308 | 394 | 384 | 451 |
| | L(RTJ) | | - | - | 264 | 273 | 308 | 394 | 387 | 454 |
| 手轮直径(mm) Handwheel diameter | W | | - | - | 200 | 200 | 280 | 280 | 280 | 300 |
| 中心高度(开) (mm)Height | H | | - | - | 320 | 320 | 320 | 440 | 440 | 490 |
| 流道孔径(mm) Flow port dimension | d | | - | - | 11 | 14 | 19 | 25 | 28 | 35 |
| 重量(Kg) Weight | | | - | - | 21.5 | 24.7 | 30.4 | 48.1 | 58.1 | 130 |

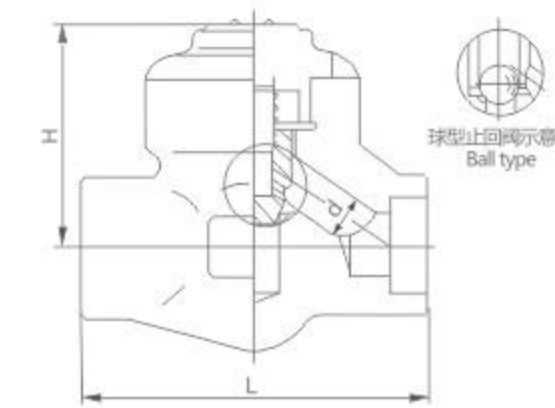
压力自紧式密封闸阀，全径，明杆支架 (OS&Y)，末端连接为焊接法兰或对焊连接，设计按 ASME B16.34
Pressure seal gate valves, full port outside screw and yoke(OS&Y)
Flange-welded or but-welded ends; design to ASME B16.34



CL800

| 规格(NPS) Specification | F.P | R.P | 3/8 | | 3/4 | | 1 | | 1 1/4 | | 1 1/2 | | 2 | |
|---------------------------------|-----|----------|-----|------|------|------|-----|-----|-------|------|-------|--|---|--|
| | | | 1/4 | 3/8 | 1/2 | 3/4 | 1 | 1/4 | 1/2 | 200 | | | | |
| 结构长度(mm) Face to face | L | 升降式Lift | 79 | 79 | 92 | 111 | 120 | 152 | 172 | 178 | | | | |
| | | 旋启式Swing | 79 | 79 | 92 | 111 | 120 | 120 | 140 | 132 | | | | |
| 中心高度(开) (mm)Height | H | 升降式Lift | 61 | 61 | 61 | 78 | 84 | 84 | 118 | 133 | | | | |
| | | 旋启式Swing | 61 | 61 | 61 | 78 | 84 | 84 | 120 | 46 | | | | |
| 流道孔径(mm) Flow port dimension | d | 升降式Lift | 7 | 9 | 13 | 17.5 | 23 | 30 | 35 | 45 | | | | |
| | | 旋启式Swing | 8 | 10.5 | 13.5 | 18 | 24 | 29 | 36.5 | 12.5 | | | | |
| 重量(Kg)Weight | | 升降式Lift | 1.2 | 1.5 | 1.7 | 3.3 | 4.2 | 4.2 | 10.5 | 10.9 | | | | |
| | | 旋启式Swing | 1.4 | 1.5 | 1.7 | 3.3 | 4.2 | 4.2 | 8.5 | | | | | |

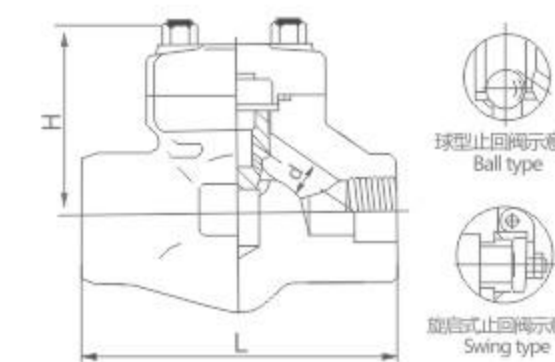
螺栓连接阀盖，缩径和全径，末端连接为螺纹或承插焊或对焊，设计按BS5352
Bolted bonnet, full port & reducing port, Threaded, but-welded or socket welded ends; design to BS5352



CL800

| 规格(NPS) Specification | F.P | R.P | 1/2 | | 3/4 | | 1 | | 1 1/4 | | 1 1/2 | | 2 | |
|---------------------------------|-----|-----|-----|-----|-----|------|-----|-------|-------|-----|-------|--|---|--|
| | | | 1/4 | 3/8 | 1/2 | 3/4 | 1 | 1 1/4 | 1 1/2 | 2 | | | | |
| 结构长度(mm) Face to face | L | | 79 | 79 | 92 | 111 | 120 | 152 | 172 | 200 | | | | |
| 中心高度(开) (mm)Height | H | | 61 | 61 | 61 | 78 | 84 | 103 | 118 | 132 | | | | |
| 流道孔径(mm) Flow port dimension | d | | 7 | 9 | 13 | 17.5 | 23 | 30 | 35 | 46 | | | | |
| 重量(Kg)Weight | | | 1.2 | 1.3 | 1.5 | 3.0 | 3.9 | 6.0 | 10 | 12 | | | | |

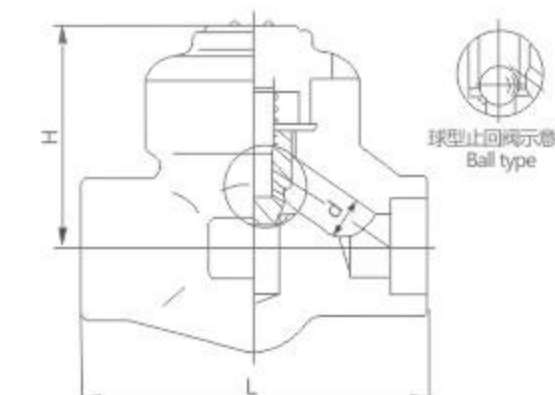
螺栓连接阀盖，缩径和全径，末端连接为螺纹或承插焊或对焊，设计按BS5352
Bolted bonnet, full port & reducing port, Threaded, but-welded or socket welded ends; design to BS5352



CL900-CL1500

| 规格(NPS) Specification | F.P | R.P | 3/8 | | 3/4 | | 1 | | 1 1/4 | | 1 1/2 | | 2 | |
|---------------------------------|-----|----------|-----|------|------|-----|-----|------|-------|-----|-------|--|---|--|
| | | | 1/4 | 3/8 | 1/2 | 3/4 | 1 | 1/4 | 1/2 | 200 | | | | |
| 结构长度(mm) Face to face | L | 升降式Lift | 92 | 111 | 111 | 120 | 152 | 172 | 200 | | | | | |
| | | 旋启式Swing | 92 | 111 | 111 | 120 | 120 | 140 | 178 | | | | | |
| 中心高度(开) (mm)Height | H | 升降式Lift | 61 | 78 | 78 | 84 | 103 | 118 | 132 | | | | | |
| | | 旋启式Swing | 61 | 78 | 78 | 84 | 101 | 120 | 133 | | | | | |
| 流道孔径(mm) Flow port dimension | d | 升降式Lift | 7 | 12 | 15 | 20 | 28 | 32 | 40 | | | | | |
| | | 旋启式Swing | 8 | 10.5 | 13.5 | 18 | 24 | 29 | 45 | | | | | |
| 重量(Kg)Weight | | 升降式Lift | 1.5 | 3.4 | 3.3 | 4.2 | 6.3 | 10.5 | 12.5 | | | | | |
| | | 旋启式Swing | 1.5 | 3.3 | 3.4 | 4.2 | 5.0 | 8.5 | 10.9 | | | | | |

螺栓连接阀盖，缩径和全径，末端连接为螺纹或承插焊，设计按BS5352
Bolted bonnet, full port & reducing port, Threaded, but-welded or socket welded ends; design to BS5352



CL900-CL1500

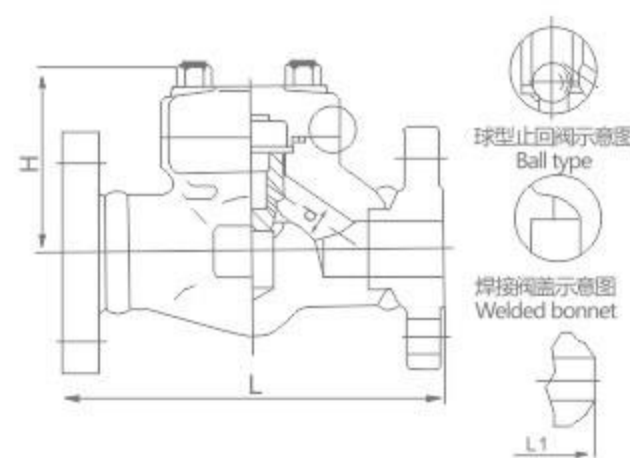
| 规格(NPS) Specification | F.P | R.P | 1/2 | | 3/4 | | 1 | | 1 1/4 | | 1 1/2 | | 2 | |
|---------------------------------|-----|-----|-----|-----|-----|-----|-----|-------|-------|---|-------|--|---|--|
| | | | 1/4 | 3/8 | 1/2 | 3/4 | 1 | 1 1/4 | 1 1/2 | 2 | | | | |
| 结构长度(mm) Face to face | L | | 92 | 111 | 111 | 120 | 152 | 172 | 200 | | | | | |
| 中心高度(开) (mm)Height | H | | 61 | 78 | 78 | 84 | 103 | 118 | 132 | | | | | |
| 流道孔径(mm) Flow port dimension | d | | 7 | 12 | 15 | 20 | 28 | 32 | 40 | | | | | |
| 重量(Kg)Weight | | | 1.3 | 3.1 | 3.1 | 3.9 | 5.8 | 10.0 | 11.5 | | | | | |

螺栓连接阀盖，缩径和全径，末端连接为螺纹或承插焊，设计按BS5352
Bolted bonnet, full port & reducing port, Threaded, but-welded or socket welded ends; design to BS5352

FLANGE AND BUTT-WELDED CHECK VALVES

法兰与对焊止回阀

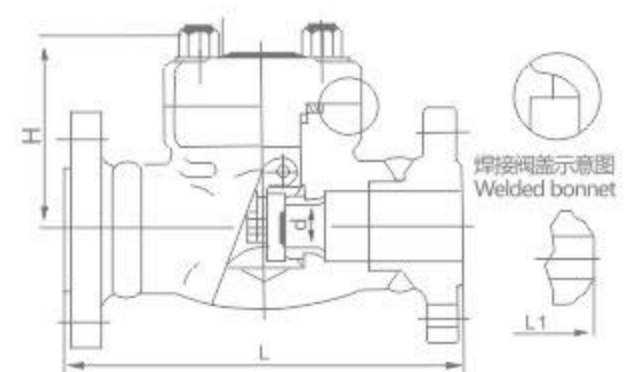
EA-VALVE



CL150-300-600

| 规格(NPS) Specification | | R.P | 1/4 | 3/8 | 1/2 | 3/4 | 1 | 1 1/4 | 1 1/2 | 2 |
|-----------------------------|-------------|--------|-----|-----|-----|-----|------|-------|-------|------|
| 结构长度(mm) Face to face | CL150 | L(RF) | - | - | 108 | 118 | 127 | 140 | 165 | 203 |
| | CL300 | L1(BW) | - | - | 153 | 178 | 203 | 216 | 229 | 267 |
| | CL600 | | - | - | 165 | 191 | 216 | 229 | 241 | 292 |
| 中心高度(开) (mm)Height | CL150 | H | - | - | 77 | 81 | 93 | 95 | 103 | 118 |
| | CL300/CL600 | H | - | - | 61 | 78 | 84 | 101 | 120 | 133 |
| 流道孔径(mm)Flow port dimension | | d | - | - | 10 | 13 | 17.5 | 23 | 30 | 35 |
| 重量(Kg) Weight | CL150 | RF | - | - | 3.6 | 4.6 | 8.5 | 9.2 | 12.5 | 14.8 |
| | | BW | - | - | 3.0 | 3.6 | 7.6 | 8.5 | 11.3 | 13.6 |
| | CL300 | RF | - | - | 3.7 | 4.8 | 8.8 | 9.6 | 13.7 | 17.8 |
| | | BW | - | - | 3.2 | 4.3 | 8.0 | 8.6 | 12.7 | 16.2 |
| | CL600 | RF | - | - | 4.0 | 5.8 | 9.5 | 10.4 | 15.6 | 24.5 |
| | | BW | - | - | 3.4 | 5.1 | 8.8 | 9.2 | 14.8 | 22.5 |

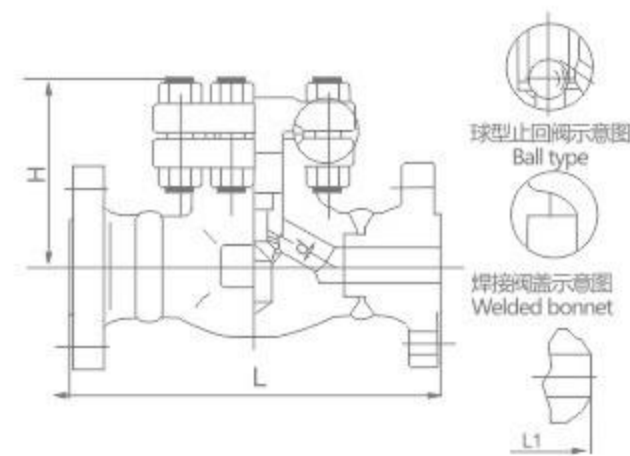
螺栓阀盖, 缩径, 末端连接为法兰或对焊, 设计按 BS5352
Bolted bonnet reducing port, Flange-welded or but-welded ends; design to BS5352



CL150-300-600

| 规格(NPS) Specification | | R.P | 1/4 | 3/8 | 1/2 | 3/4 | 1 | 1 1/4 | 1 1/2 | 2 |
|-----------------------------|-------------|--------|-----|-----|------|------|-----|-------|-------|------|
| 结构长度(mm) Face to face | CL150 | L(RF) | - | - | 108 | 118 | 127 | 140 | 165 | 203 |
| | CL300 | L1(BW) | - | - | 153 | 178 | 203 | 216 | 229 | 267 |
| | CL600 | | - | - | 165 | 191 | 216 | 229 | 241 | 292 |
| 中心高度(开) (mm)Height | CL150 | H | - | - | 77 | 81 | 93 | 95 | 103 | 118 |
| | CL300/CL600 | H | - | - | 61 | 78 | 84 | 101 | 120 | 133 |
| 流道孔径(mm)Flow port dimension | | d | - | - | 10.5 | 13.5 | 18 | 24 | 29 | 36.5 |
| 重量(Kg) Weight | CL150 | RF | - | - | 3.6 | 4.6 | 8.5 | 9.2 | 12.5 | 14.8 |
| | | BW | - | - | 3.0 | 3.6 | 7.6 | 8.5 | 11.3 | 13.6 |
| | CL300 | RF | - | - | 3.7 | 4.8 | 8.8 | 9.6 | 13.7 | 17.8 |
| | | BW | - | - | 3.2 | 4.3 | 8.0 | 8.6 | 12.7 | 16.2 |
| | CL600 | RF | - | - | 4.0 | 5.8 | 9.5 | 10.4 | 15.6 | 24.5 |
| | | BW | - | - | 3.4 | 5.1 | 8.8 | 9.2 | 14.8 | 22.5 |

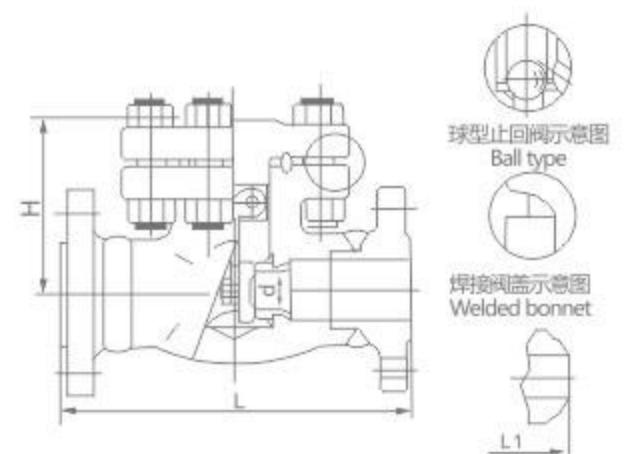
螺栓阀盖, 缩径, 末端连接为法兰或对焊, 设计按 BS5352
Bolted bonnet reducing port, Flange-welded or but-welded ends; design to BS5352



CL150-300-600

| 规格(NPS) Specification | | R.P | 1/4 | 3/8 | 1/2 | 3/4 | 1 | 1 1/4 | 1 1/2 | 2 |
|-----------------------------|-------------|--------|-----|-----|-----|-----|------|-------|-------|------|
| 结构长度(mm) Face to face | CL150 | L(RF) | - | - | 108 | 118 | 127 | 140 | 165 | 203 |
| | CL300 | L1(BW) | - | - | 153 | 178 | 203 | 216 | 229 | 267 |
| | CL600 | | - | - | 165 | 191 | 216 | 229 | 241 | 292 |
| 中心高度(开) (mm)Height | CL150 | H | - | - | 77 | 81 | 93 | 95 | 103 | 118 |
| | CL300/CL600 | H | - | - | 61 | 78 | 84 | 101 | 120 | 133 |
| 流道孔径(mm)Flow port dimension | | d | - | - | 10 | 13 | 17.5 | 23 | 30 | 35 |
| 重量(Kg) Weight | CL150 | RF | - | - | 3.2 | 3.5 | 4.6 | 5.2 | 7.0 | 16 |
| | | BW | - | - | 2.8 | 3.0 | 4.0 | 4.6 | 6.3 | 15 |
| | CL300 | RF | - | - | 4.6 | 6.1 | 9.1 | 12 | 16 | 21 |
| | | BW | - | - | 4.1 | 5.7 | 8.4 | 11.2 | 14.5 | 19.5 |
| | CL600 | RF | - | - | 4.8 | 6.3 | 9.3 | 13 | 16.5 | 22 |
| | | BW | - | - | 4.4 | 5.9 | 8.7 | 12.1 | 15.8 | 20.8 |

螺栓阀盖, 缩径, 末端连接为法兰或对焊, 设计按 BS5352
Bolted bonnet reducing port, Flange-welded or but-welded ends; design to BS5352



CL150-300-600

| 规格(NPS) Specification | | R.P | 1/4 | 3/8 | 1/2 | 3/4 | 1 | 1 1/4 | 1 1/2 | 2 |
|-----------------------------|-------------|--------|-----|-----|------|------|-----|-------|-------|------|
| 结构长度(mm) Face to face | CL150 | L(RF) | - | - | 108 | 118 | 127 | 140 | 165 | 203 |
| | CL300 | L1(BW) | - | - | 153 | 178 | 203 | 216 | 229 | 267 |
| | CL600 | | - | - | 165 | 191 | 216 | 229 | 241 | 292 |
| 中心高度(开) (mm)Height | CL150 | H | - | - | 77 | 81 | 93 | 95 | 103 | 118 |
| | CL300/CL600 | H | - | - | 61 | 78 | 84 | 101 | 120 | 133 |
| 流道孔径(mm)Flow port dimension | | d | - | - | 10.5 | 13.5 | 18 | 24 | 29 | 36.5 |
| 重量(Kg) Weight | CL150 | RF | - | - | 3.6 | 4.6 | 8.5 | 9.2 | 12.5 | 14.8 |
| | | BW | - | - | 3.0 | 3.6 | 7.6 | 8.5 | 11.3 | 13.6 |
| | CL300 | RF | - | - | 3.7 | 4.8 | 8.8 | 9.6 | 13.7 | 17.8 |
| | | BW | - | - | 3.2 | 4.3 | 8.0 | 8.6 | 12.7 | 16.2 |
| | CL600 | RF | - | - | 4.0 | 5.8 | 9.5 | 10.4 | 15.6 | 24.5 |
| | | BW | - | - | 3.4 | 5.1 | 8.8 | 9.2 | 14.8 | 22.5 |

螺栓阀盖, 缩径, 末端连接为法兰或对焊, 设计按 BS5352
Bolted bonnet reducing port, Flange-welded or but-welded ends; design to BS5352

集生产、研发、销售、服务 于一体阀门制造企业

Set production, research and development,
sales and service in one valve manufacturing enterprise

产品选型手册
Product selection manual